



MODEL 517

RELIABLE, BRIGHTER, LONGER-LASTING

Versatile Compatibility

Upgrade your forklift's lighting with the Model 517, the latest evolution from J.W. Speaker's Model 515. This next-generation multifunctional headlight is engineered for exceptional reliability, enhanced output, and extended durability. Designed to seamlessly integrate three essential functions—low beam, front position, and turn signal—into a single, compact unit, the Model 517 offers unparalleled convenience and performance for a wide range of lift trucks.

Designed with a lighter build, enhancing efficiency and handling, its advanced LED technology delivers clear illumination while consuming less power than the Model 515.



DIRECTIONAL INDICATOR



FRONT POSITION



LOW BEAM



J.W. SPEAKER
Engineered. Lighting. Solutions.

Model 517 is available at your authorized J.W. Speaker dealer.
For more information & technical specifications, go to www.jwspeaker.com

MODEL 517

ENHANCED DURABILITY

The upgraded Model 517 is ideal for Material Handling applications, whether operating in an industrial environment or moving between job sites.



The Model 517 features a sleek, modern design that is lightweight and has a better light output than the previous Model 515. Built with a polycarbonate hardcoated outer lens, the Model 517 provides enhanced protection against scratches and impacts. The housing is also made from durable, glass filled polycarbonate, ensuring long-term resilience. Additionally, the headlight comes with a black housing and bezel, offering a stylish and practical design that fits seamlessly with your equipment.

Model 517 Forklift LED Headlight

Part No.	Description
0561691	12-24V LED Forklift Headlight

Model 517 Lift Truck LED Headlight Accessories

Part No.	Description
3267401	Model 517 Wire Harness

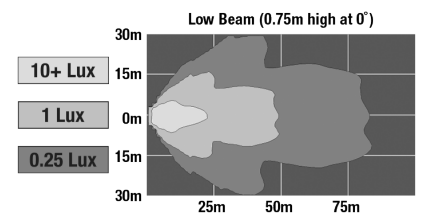
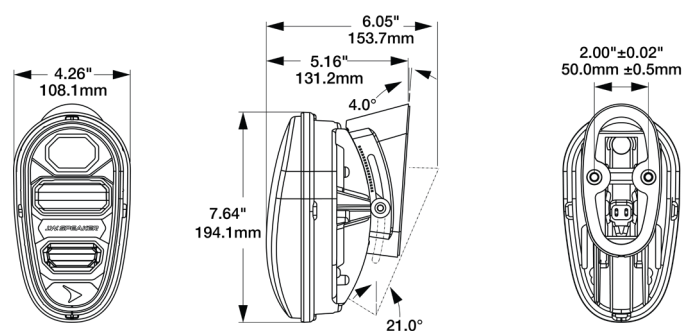
⚠ **WARNING: Cancer and Reproductive Harm - www.P65Warnings.ca.gov**
 ⚠ **AVERTISSEMENT: Cancer et effet nocif sur la reproduction - www.P65Warnings.ca.gov**

Upgraded Design

Built to withstand the rigors of on-road and industrial environments, this headlight ensures long-lasting reliability and reduced maintenance needs. It is designed to endure harsh conditions, contributing to its extended lifespan and dependable performance all in one package.

- Mounts to the Front of Lift Trucks
- Low Beam, Front Position, & Turn Signal Functions
- Lightweight & Efficient
- ECE & IP67 Compliant
- 548 Effective Lumens of Light Output
- Durable Polycarbonate Hardcoated Lens

Brighten your worksite with J.W. Speaker's Model 517 forklift headlight. Enhance visibility, reduce accidents, and ensure smooth operations with our durable, high-performance lights.



J.W. Speaker Global Headquarters

N120 W19434 Freistadt Road
 PO Box 1011, Germantown, Wisconsin 53022 USA

speaker@jwspeaker.com

