

# Tall Mounting Hardware Kit for Mosaic

## PRODUCT INFORMATION

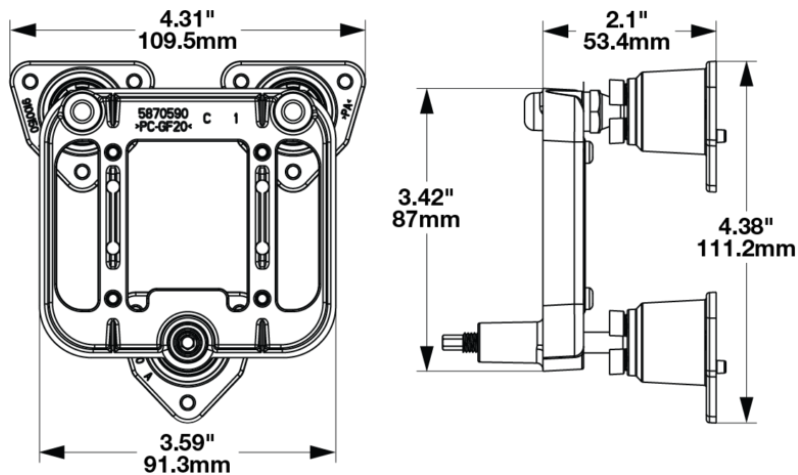
---

<b>Description</b>	Tall Mounting Hardware Kit for Mosaic
<b>Product Weight</b>	0.20 lbs / 0.09 kgs
<b>Shipping Weight</b>	0.30 lbs / 0.14 kgs
<b>Additional Information</b>	X4 Screw #6-32 X.5 X3 10mm Ball Socket X1 Bracket X3 Adjust Ball Socket 10mm X1 Adjuster Rod 10mm Dia X 63.5mm w/Hex X2 10mmBall Stud overmolded



# Tall Mounting Hardware Kit for Mosaic

## PRODUCT DIMENSIONS



## INSTALLATION & APPLICATION INFORMATION

The 8201041 Tall Mounting Hardware Kit should only be used with Vertical and Horizontal Low Beam Headlights:

0561411(2)

0561421(2)

0561401(2)

## PRODUCT WARNINGS

For California residents:

⚠ **WARNING:** Cancer and reproductive harm - [www.P65Warnings.ca.gov](http://www.P65Warnings.ca.gov).

⚠ **AVERTISSEMENT:** Cancer et effet nocif sur la reproduction - [www.P65Warnings.ca.gov](http://www.P65Warnings.ca.gov).

Print date: 2025-03-12

© 2025 J.W. Speaker Corporation • Germantown, WI U.S.A.

[www.jwspeaker.com](http://www.jwspeaker.com) • [speaker@jwspeaker.com](mailto:speaker@jwspeaker.com) • 262.251.6660

# Tall Mounting Hardware Kit for Mosaic

## SUITS THESE PRODUCTS

---



**Customizable  
Modular LED Lights**

LED Mosaic Modular  
Lighting System -  
Model 92

---

**Print date: 2025-03-12**

© 2025 J.W. Speaker Corporation • Germantown, WI U.S.A.  
www.jwspeaker.com • speaker@jwspeaker.com • 262.251.6660