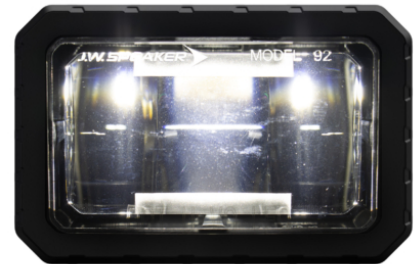


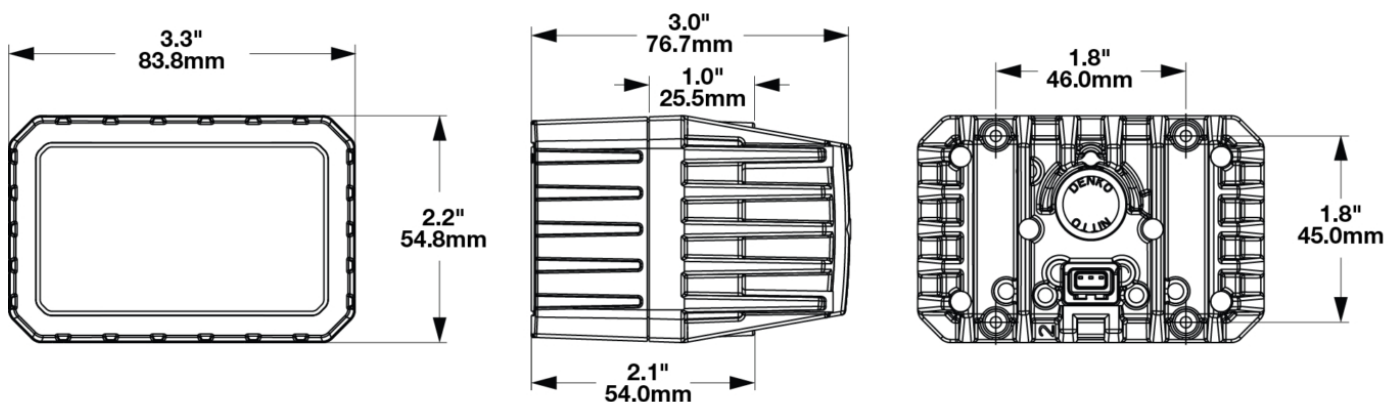
# LED Mosaic Modular Lighting System - Model 92

## PRODUCT INFORMATION

|                                      |  |
|--------------------------------------|--|
| <b>Description</b>                   | 12V LED DOT/ECE High Beam & Front Position Headlight |
| <b>Height</b>                        | 54.80 mm / 2.16 in                                   |
| <b>Width</b>                         | 83.80 mm / 3.3 in                                    |
| <b>Depth</b>                         | 76.70 mm / 3.02 in                                   |
| <b>Shape</b>                         | Rectangular  |
| <b>Outer Lens Material</b>           | Polycarbonate  |
| <b>Outer Lens Color</b>              | Clear  |
| <b>Housing Material</b>              | Die-Cast Aluminum                                    |
| <b>Housing Color</b>                 | Black  |
| <b>Bezel Color</b>                   | n/a  |
| <b>Minimum Operating Temperature</b> | -40 °C / -40 °F                                      |
| <b>Maximum Operating Temperature</b> | 65 °C / 149 °F                                       |
| <b>Mating Connector</b>              | JAE MX19A003S51 3 POS                                |
| <b>Product Weight</b>                | 0.55 lbs / 0.25 kgs                                  |
| <b>Shipping Weight</b>               | 9.39 lbs / 4.26 kgs                                  |



## PRODUCT DIMENSIONS



Print date: 2024-12-22

© 2024 J.W. Speaker Corporation • Germantown, WI U.S.A.  
 www.jwspeaker.com • speaker@jwspeaker.com • 262.251.6660

# LED Mosaic Modular Lighting System - Model 92

## ELECTRICAL SPECIFICATIONS

|                          |   |
|--------------------------|---|
| <b>Input Voltage</b>     | 12V DC  |
| <b>Operating Voltage</b> | 10-16V DC   |
| <b>WHITE Wire</b>        | HIGH BEAM   |
| <b>RED Wire</b>          | FRONT POSITION  |
| <b>BLACK Wire</b>        | GROUND  |
| <b>Current Draw</b>      | 1.30A @ 12V DC (HIGH BEAM)<br>0.18A @ 12V DC (FRONT POSITION) |

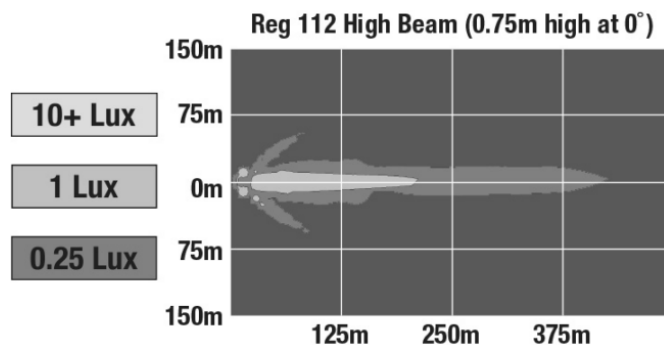
## REGULATORY STANDARDS COMPLIANCE



|                               |                            |
|-------------------------------|----------------------------|
| ECE Reg 148 - A               | ECE Reg 149 - HR           |
| FMVSS 108 s10.1 (Table XVIII) | FMVSS 108 s10.1 (Table XX) |
| FMVSS 108 s7.8 (Table XIV)    | IEC IP67                   |
| IEC IP69K                     |                            |

## PHOTOMETRIC SPECIFICATIONS

|                                      |  |
|--------------------------------------|--|
| <b>Raw Lumen Output</b>              | 1800   |
| <b>Effective Lumen Output</b>        | 400  |
| <b>Candela Output</b>                | 46000  |
| <b>Nominal LED Color Temperature</b> | 5700 K   |
| <b>Beam Pattern(s)</b>               | Forward Lighting - High Beam (ECE)<br>Signalization - Front Position |



Print date: 2024-12-22

© 2024 J.W. Speaker Corporation • Germantown, WI U.S.A.  
www.jwspeaker.com • speaker@jwspeaker.com • 262.251.6660

# LED Mosaic Modular Lighting System - Model 92

## APPLICATIONS

---



## INSTALLATION & APPLICATION INFORMATION

---

North America front position and high beam light.  
European front position and high beam light.

## PRODUCT WARNINGS

---

For California residents:

⚠ **WARNING:** Cancer and reproductive harm - [www.P65Warnings.ca.gov](http://www.P65Warnings.ca.gov).

⚠ **AVERTISSEMENT:** Cancer et effet nocif sur la reproduction - [www.P65Warnings.ca.gov](http://www.P65Warnings.ca.gov).

## ACCESSORIES

---



**Part Number**  
**8200831**  
Mounting Hardware Kit  
for Mosaic



**Part Number**  
**8201031**  
Pedestal Mount Kit for  
Mosaic



**Part Number**  
**8201041**  
Tall Mounting  
Hardware Kit for  
Mosaic

# LED Mosaic Modular Lighting System - Model 92

## RELATED PRODUCTS

---



**Part Number**  
**0347971**  
12-24V LED DOT/ECE  
DI & DRL Light



**Part Number**  
**0347972**  
12-24V LED DOT/ECE  
DI & DRL Light (Bulk)



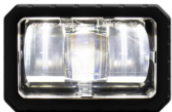
**Part Number**  
**0556821**  
12V LED SAE/ECE Fog  
Light



**Part Number**  
**0556831**  
12V LED SAE High  
Beam & DRL Headlight



**Part Number**  
**0556832**  
12V LED SAE High  
Beam & DRL Headlight  
(Bulk)



**Part Number**  
**0557941**  
12V LED SAE/ECE  
Cornering Light



**Part Number**  
**0557942**  
12V LED SAE/ECE  
Cornering Light (Bulk)



**Part Number**  
**0558321**  
12V LED SAE/ECE  
Symmetric Low Beam  
Headlight