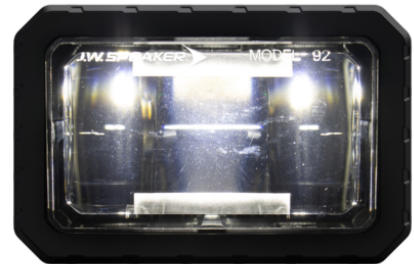


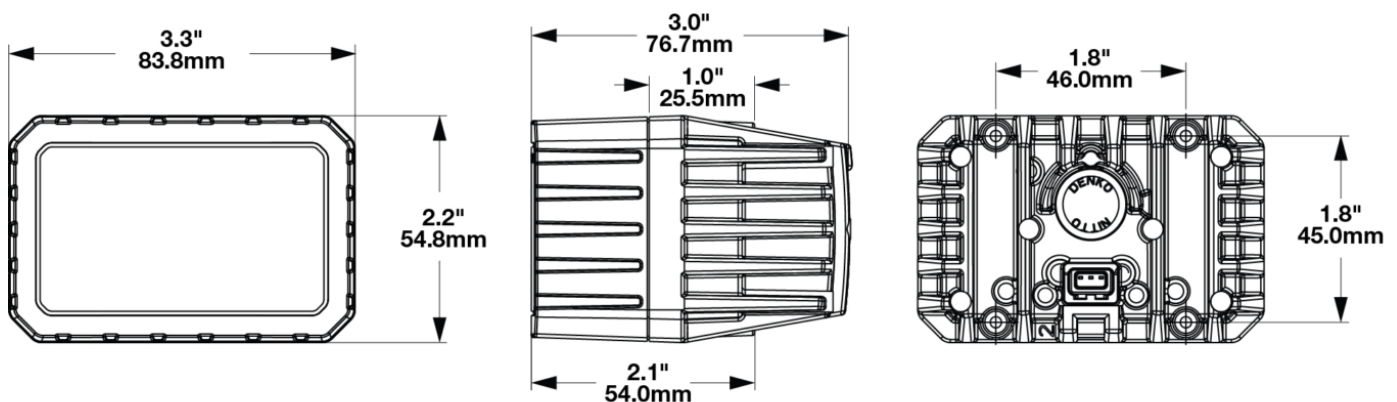
LED Mosaic Modular Lighting System - Model 92

PRODUCT INFORMATION

Description	12V LED SAE High Beam & DRL Headlight
Height	54.80 mm / 2.16 in
Width	83.80 mm / 3.3 in
Depth	76.70 mm / 3.02 in
Shape	Rectangular
Outer Lens Material	Polycarbonate
Outer Lens Color	Clear
Housing Material	Die-Cast Aluminum
Housing Color	Black
Bezel Color	N/A
Minimum Operating Temperature	-40 °C / -40 °F
Maximum Operating Temperature	65 °C / 149 °F
Mating Connector	JAE MX19A003S51 3 Pos
Product Weight	0.55 lbs / 0.25 kgs
Shipping Weight	12.50 lbs / 5.67 kgs



PRODUCT DIMENSIONS



Print date: 2025-03-12

© 2025 J.W. Speaker Corporation • Germantown, WI U.S.A.
 www.jwspeaker.com • speaker@jwspeaker.com • 262.251.6660

LED Mosaic Modular Lighting System - Model 92

ELECTRICAL SPECIFICATIONS

Input Voltage	12V DC
Operating Voltage	10-16V DC
RED Wire	High Beam
Black Wire	Ground
White Wire	DRL
Current Draw	2.0A @ 12V DC (High Beam) 0.1A @ 12V DC (DRL)

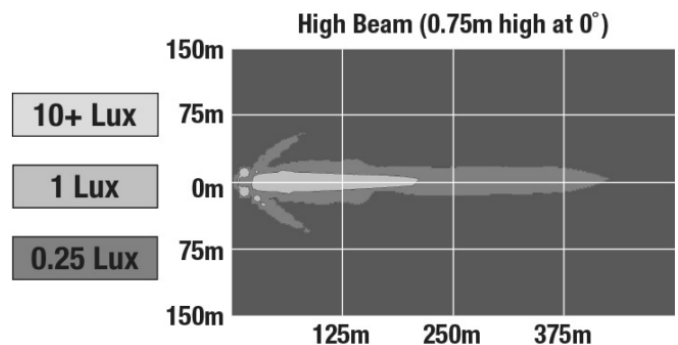
REGULATORY STANDARDS COMPLIANCE



ASABE S608	FMVSS 108 s10.1 (Table XVIII)
FMVSS 108 s7.10	IEC IP67
IEC IP69K	SAE J1623

PHOTOMETRIC SPECIFICATIONS

Raw Lumen Output	1800(High Beam)
Effective Lumen Output	400(High Beam)
Candela Output	46200
Nominal LED Color Temperature	5700 K
Beam Pattern(s)	Forward Lighting - High Beam (DOT/ECE)



Print date: 2025-03-12

© 2025 J.W. Speaker Corporation • Germantown, WI U.S.A.
www.jwspeaker.com • speaker@jwspeaker.com • 262.251.6660

LED Mosaic Modular Lighting System - Model 92

APPLICATIONS



INSTALLATION & APPLICATION INFORMATION

North America high beam and day time running light.

PRODUCT WARNINGS

For California residents:

⚠ **WARNING:** Cancer and reproductive harm - www.P65Warnings.ca.gov.

⚠ **AVERTISSEMENT:** Cancer et effet nocif sur la reproduction - www.P65Warnings.ca.gov.

ACCESSORIES



Part Number
8200831
Mounting Hardware Kit
for Mosaic



Part Number
8201031
Pedestal Mount Kit for
Mosaic



Part Number
8201041
Tall Mounting
Hardware Kit for
Mosaic

LED Mosaic Modular Lighting System - Model 92

RELATED PRODUCTS



Part Number
0347971
12-24V LED DOT/ECE
DI & DRL Light



Part Number
0347972
12-24V LED DOT/ECE
DI & DRL Light (Bulk)



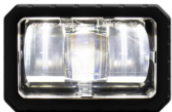
Part Number
0556821
12V LED SAE/ECE Fog
Light



Part Number
0556832
12V LED SAE High
Beam & DRL Headlight
(Bulk)



Part Number
0557941
12V LED SAE/ECE
Cornering Light



Part Number
0557942
12V LED SAE/ECE
Cornering Light (Bulk)



Part Number
0558321
12V LED SAE/ECE
Symmetric Low Beam
Headlight



Part Number
0558322
12V LED SAE/ECE
Symmetric Low Beam
Headlight (Bulk)