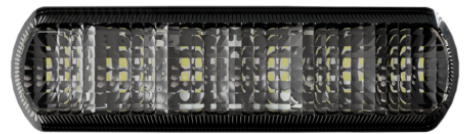


Model 215 LED Front Position & Signal Light

PRODUCT INFORMATION

Description	24V ECE/SAE LED Front Position & Direction Indicator Light (BULK)
Height	40.00 mm / 1.57 in
Width	128.00 mm / 5.04 in
Depth	25.50 mm / 1 in
Shape	Rectangular
Outer Lens Material	PMMA
Outer Lens Color	CLEAR
Housing Material	Polycarbonate
Housing Color	BLACK
Bezel Color	N/A
Mounting Hardware Description	(x2) Self Threading Nut, 7/16" or 11mm
Mounting Type	Flush
Minimum Operating Temperature	-40 °C / -40 °F
Maximum Operating Temperature	85 °C / 185 °F
Mating Connector	DEUTSCH DT06-3S-P012 (3 PIN)
Product Weight	0.18 lbs / 0.08 kgs
Shipping Weight	7.20 lbs / 3.27 kgs



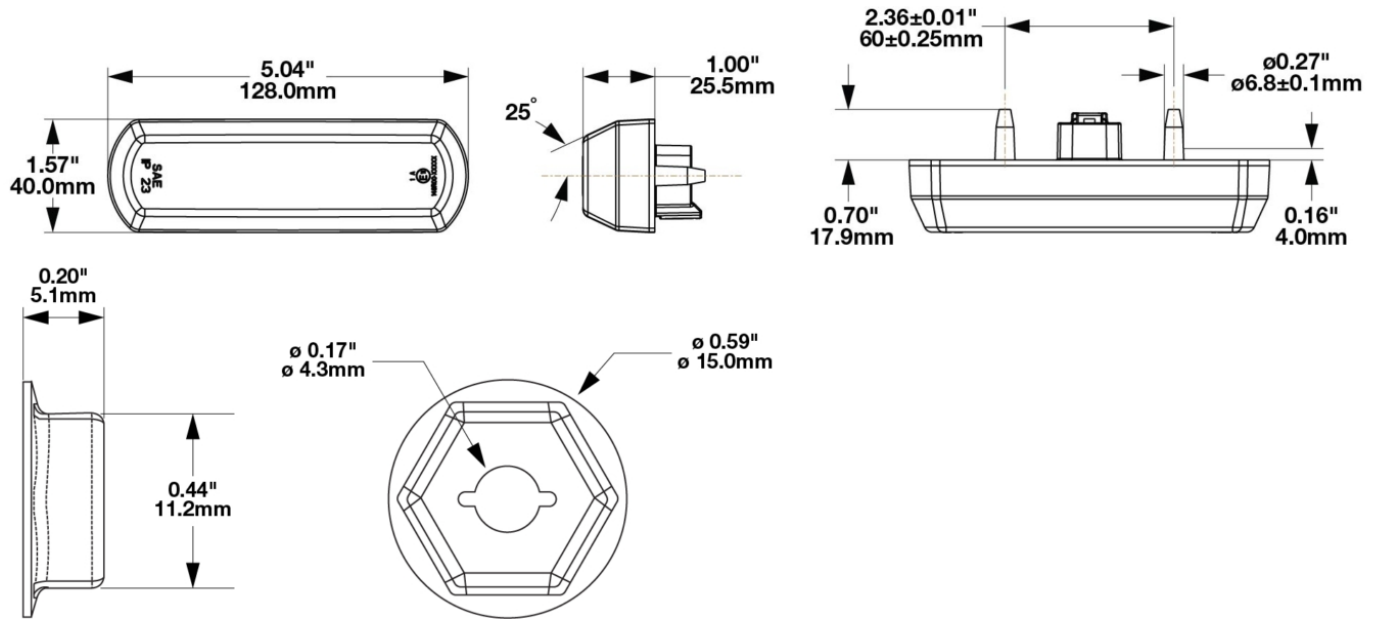
Print date: 2025-03-04

© 2025 J.W. Speaker Corporation • Germantown, WI U.S.A.
www.jwspeaker.com • speaker@jwspeaker.com • 262.251.6660

J.W. SPEAKER 
Engineered. Lighting. Solutions.

Model 215 LED Front Position & Signal Light

PRODUCT DIMENSIONS



5430452

(Not Included)

ELECTRICAL SPECIFICATIONS

Input Voltage	24V DC
Operating Voltage	20-28V DC
White Wire	Front Position
Yellow Wire	Turn
Black Wire	Ground
Current Draw	.032A @ 24V DC (Front Position) .123A @ 24V DC (Turn)

Print date: 2025-03-04

© 2025 J.W. Speaker Corporation • Germantown, WI U.S.A.
www.jwspeaker.com • speaker@jwspeaker.com • 262.251.6660

Model 215 LED Front Position & Signal Light

REGULATORY STANDARDS COMPLIANCE



ECE Reg 148 - 1a

ECE Reg 148 - A

PHOTOMETRIC SPECIFICATIONS

Beam Pattern(s) Signalization - Front Position
Signalization - Turn (Front)
Warning - Flashing Warning

APPLICATIONS



PRODUCT WARNINGS

For California residents:

⚠ **WARNING:** Cancer and reproductive harm - www.P65Warnings.ca.gov.

⚠ **AVERTISSEMENT:** Cancer et effet nocif sur la reproduction - www.P65Warnings.ca.gov.

Print date: 2025-03-04

© 2025 J.W. Speaker Corporation • Germantown, WI U.S.A.
www.jwspeaker.com • speaker@jwspeaker.com • 262.251.6660

Model 215 LED Front Position & Signal Light

RELATED PRODUCTS



Part Number

0348252

12V ECE/SAE LED
Front Position &
Direction Indicator
Light (BULK)