

# LED Signal Lights – Military Black Out Lights

## PRODUCT INFORMATION

<b>Description</b>	24V 60mm Cyan LH Blackout Driving Light - Bulk Qty (18 MIN)
<b>Height</b>	39.88 mm / 1.57 in
<b>Width</b>	59.94 mm / 2.36 in
<b>Depth</b>	47.24 mm / 1.86 in
<b>Shape</b>	Round
<b>Outer Lens Material</b>	Polycarbonate
<b>Outer Lens Color</b>	Clear
<b>Housing Material</b>	Nylon
<b>Housing Color</b>	Black
<b>Mounting Hardware Description</b>	(x2) #6-Screw
<b>Mounting Type</b>	Flange Mount
<b>Minimum Operating Temperature</b>	-40 °C / -40 °F
<b>Maximum Operating Temperature</b>	85 °C / 185 °F
<b>Connector or Wiring</b>	Deutsch DT04-2P
<b>Mating Connector</b>	Deutsch DT06-2S
<b>Product Weight</b>	0.13 lbs / 0.06 kgs
<b>Shipping Weight</b>	2.97 lbs / 1.35 kgs
<b>Additional Information</b>	Light color is Cyan. Meets MIL-PRF-32212A Section 3.4 and 3.5.



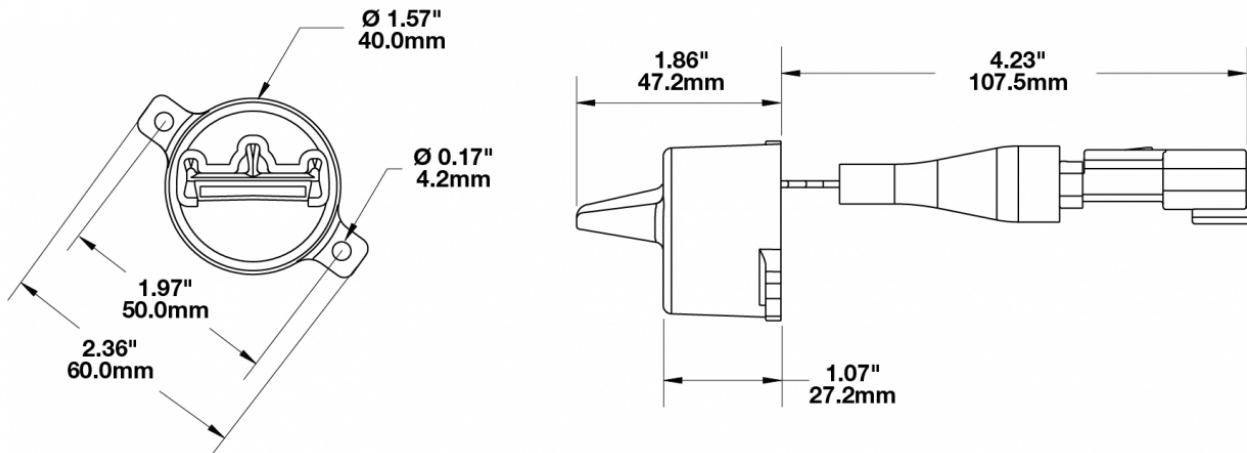
**Print date: 2025-02-28**

© 2025 J.W. Speaker Corporation • Germantown, WI U.S.A.  
 www.jwspeaker.com • speaker@jwspeaker.com • 262.251.6660

**J.W. SPEAKER**   
 Engineered. Lighting. Solutions.

# LED Signal Lights - Military Black Out Lights

## PRODUCT DIMENSIONS



## ELECTRICAL SPECIFICATIONS

<b>Input Voltage</b>	24V DC
<b>Operating Voltage</b>	18-32V DC
<b>Black Wire</b>	Ground
<b>Red Wire</b>	Power
<b>Current Draw</b>	0.150A @ 24V DC

## REGULATORY STANDARDS COMPLIANCE



Buy America Standards  
IEC IP67

Eco Friendly

## PHOTOMETRIC SPECIFICATIONS

**Beam Pattern(s)** Forward Lighting - Driving

Print date: 2025-02-28

© 2025 J.W. Speaker Corporation • Germantown, WI U.S.A.  
www.jwspeaker.com • speaker@jwspeaker.com • 262.251.6660

# LED Signal Lights - Military Black Out Lights

## APPLICATIONS

---



## PRODUCT WARNINGS

---

For California residents:

⚠ **WARNING:** Cancer and reproductive harm - [www.P65Warnings.ca.gov](http://www.P65Warnings.ca.gov).

⚠ **AVERTISSEMENT:** Cancer et effet nocif sur la reproduction - [www.P65Warnings.ca.gov](http://www.P65Warnings.ca.gov).

## RELATED PRODUCTS

---



**Part Number**  
**0347502**  
24V 60mm Amber  
Front Blackout Marker  
Light - Bulk Qty (18  
MIN)



**Part Number**  
**0347512**  
24V 60mm Red Rear  
Blackout Tail Light -  
Bulk Qty (18 MIN)



**Part Number**  
**0347522**  
24V 60mm Amber  
Rear Blackout Stop  
Light - Bulk Qty (18  
MIN)



**Part Number**  
**0550732**  
24V 60mm Cyan RH  
Blackout Driving Light  
- Bulk Qty (18 MIN)



**Part Number**  
**0556132**  
12-24V 117mm Cyan  
Blackout Driving Light  
with Tan Housing -  
Bulk Qty (24 MIN)



**Part Number**  
**0556142**  
12-24V 117mm Cyan  
Blackout Driving Light  
with Green Housing -  
Bulk Qty (24 MIN)

---

Print date: 2025-02-28

© 2025 J.W. Speaker Corporation • Germantown, WI U.S.A.  
[www.jwspeaker.com](http://www.jwspeaker.com) • [speaker@jwspeaker.com](mailto:speaker@jwspeaker.com) • 262.251.6660

**J.W. SPEAKER**  
Engineered. Lighting. Solutions.