

LED Work Lights - Model 840 XD

PRODUCT INFORMATION

Description	12-48V LED Work Light with Right Hand Vertical Flood Beam Pattern (Lower Output)
Height	154.18 mm / 6.07 in
Width	113.28 mm / 4.46 in
Depth	54.10 mm / 2.13 in
Shape	Square
Outer Lens Material	Polycarbonate
Outer Lens Color	Clear
Housing Material	Polycarbonate
Housing Color	Black
Mounting Hardware Description	(x1) 5/16"-18 x 1.00" Mounting Bolt
Mounting Type	Universal Pedestal Mount
Minimum Operating Temperature	-40 °C / -40 °F
Maximum Operating Temperature	65 °C / 149 °F
Connector or Wiring	Integrated 2-Pin Deutsch Weather-Proof Socket (DT04-2P)
Mating Connector	2-Pin Deutsch Weather-Proof Plug (DT06-2S)
Product Weight	0.86 lbs / 0.39 kgs
Shipping Weight	1.05 lbs / 0.48 kgs



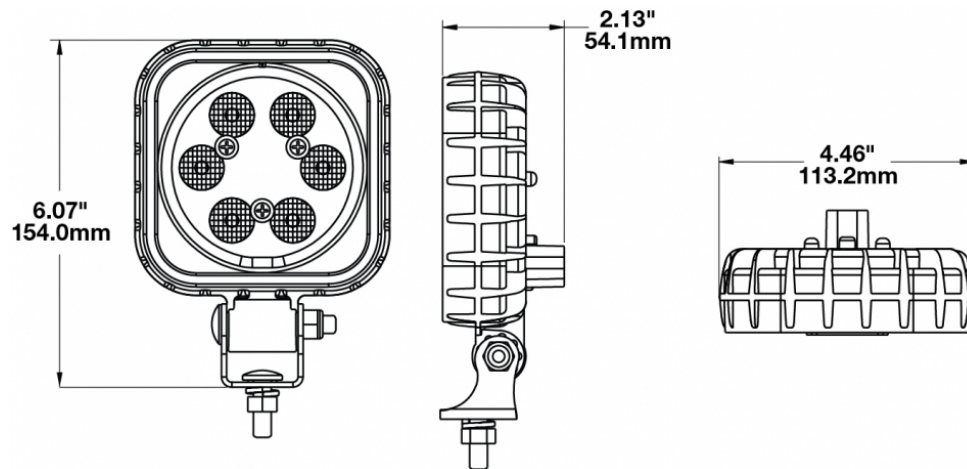
Print date: 2025-01-15

© 2025 J.W. Speaker Corporation • Germantown, WI U.S.A.
www.jwspeaker.com • speaker@jwspeaker.com • 262.251.6660

J.W. SPEAKER 
Engineered. Lighting. Solutions.

LED Work Lights - Model 840 XD

PRODUCT DIMENSIONS



ELECTRICAL SPECIFICATIONS

Input Voltage	12-48V DC
Operating Voltage	10-130V DC
Transient Spike Protection	330V Peak @ 1 HZ-100 Pulses
Current Draw	0.50A @ 12V DC 0.25A @ 24V DC 0.17A @ 36V DC 0.13A @ 48V DC

REGULATORY STANDARDS COMPLIANCE



Buy America Standards
Eco Friendly
IEC IP69K

CE Recognized
IEC IP67
UL Recognized

Print date: 2025-01-15

© 2025 J.W. Speaker Corporation • Germantown, WI U.S.A.
www.jwspeaker.com • speaker@jwspeaker.com • 262.251.6660

LED Work Lights - Model 840 XD

PHOTOMETRIC SPECIFICATIONS

Raw Lumen Output	720
Effective Lumen Output	323
Nominal LED Color Temperature	5000 K
Beam Pattern(s)	Forward Lighting - Flood (Vertical) Right-Hand Vertical Flood

APPLICATIONS



PRODUCT WARNINGS

For California residents:

⚠ **WARNING:** Cancer and reproductive harm - www.P65Warnings.ca.gov.

⚠ **AVERTISSEMENT:** Cancer et effet nocif sur la reproduction - www.P65Warnings.ca.gov.

Print date: 2025-01-15

© 2025 J.W. Speaker Corporation • Germantown, WI U.S.A.
www.jwspeaker.com • speaker@jwspeaker.com • 262.251.6660

J.W. SPEAKER
Engineered. Lighting. Solutions.

LED Work Lights - Model 840 XD

ACCESSORIES



Part Number
8200011
Magnet Mount Kit for
XD Series Work Lights



Part Number
8200101
Stainless Steel
Mounting Kit for Work
Lights & Marine Lights



Part Number
8200491
Mounting Kit For Work
Lights

RELATED PRODUCTS



Part Number
1300001
12-24V LED Work Light
with Flood Beam
Pattern



Part Number
1300011
12-24V LED Work Light
with Trapezoid Beam
Pattern



Part Number
1300021
12-24V LED Work Light
with Spot Beam
Pattern



Part Number
1300031
12-110V LED Work
Light with Trapezoid
Beam Pattern &
Integrated 2-Pin
Deutsch Connector



Part Number
1300041
12-110V LED Work
Light with Trapezoid
Beam Pattern &
Integrated AMP
Connector



Part Number
1300091
12-110V LED Work
Light with Flood Beam
Pattern



Part Number
1300101
12-110V LED Work
Light with Spot Beam
Pattern



Part Number
1300301
12-48V LED Work Light
with Left Hand Vertical
Flood Beam Pattern