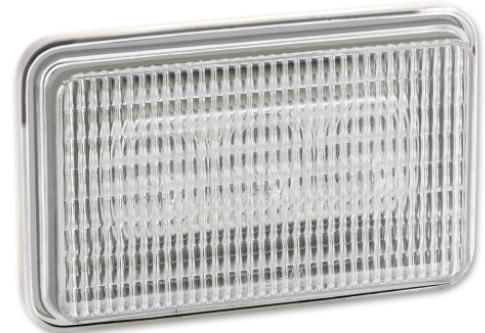


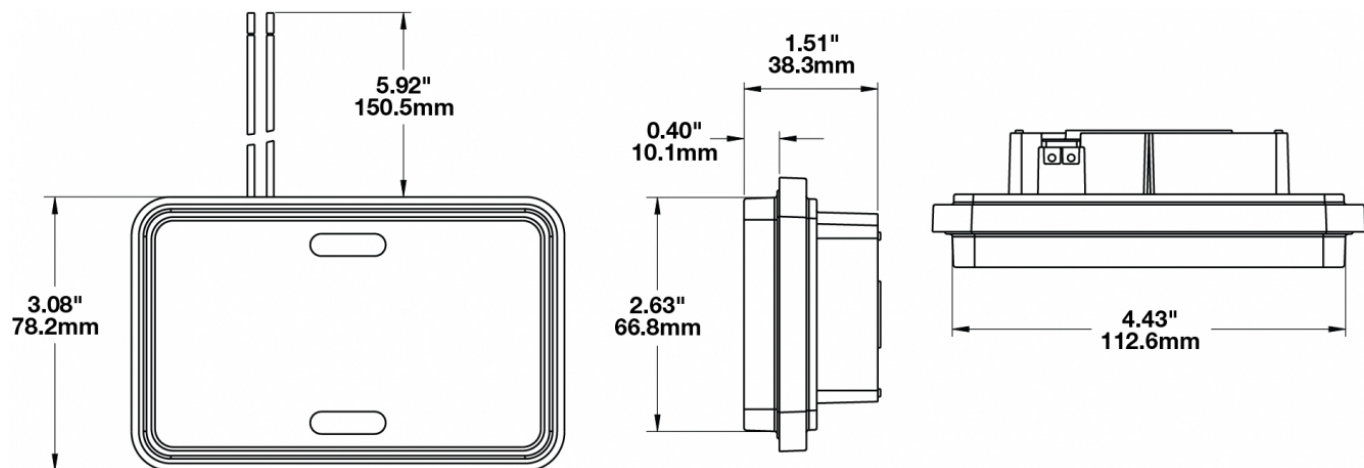
# LED Work Light - Model 803

## PRODUCT INFORMATION

<b>Description</b>	12-48V LED Work Light with Flood Beam Pattern
<b>Height</b>	78.23 mm / 3.08 in
<b>Width</b>	123.95 mm / 4.88 in
<b>Depth</b>	39.12 mm / 1.54 in
<b>Shape</b>	Rectangular
<b>Outer Lens Material</b>	Polycarbonate
<b>Outer Lens Color</b>	Clear
<b>Housing Material</b>	Polycarbonate
<b>Housing Color</b>	Clear
<b>Bezel Color</b>	Black
<b>Mounting Type</b>	Low Profile Mount
<b>Minimum Operating Temperature</b>	-40 °C / -40 °F
<b>Maximum Operating Temperature</b>	65 °C / 149 °F
<b>Connector or Wiring</b>	.25 Male Blade Term
<b>Mating Connector</b>	.25 Female Blade Term
<b>Product Weight</b>	0.30 lbs / 0.14 kgs
<b>Shipping Weight</b>	2.34 lbs / 1.06 kgs



## PRODUCT DIMENSIONS



Print date: 2025-02-28

© 2025 J.W. Speaker Corporation • Germantown, WI U.S.A.  
 www.jwspeaker.com • speaker@jwspeaker.com • 262.251.6660

**J.W. SPEAKER**  
 Engineered. Lighting. Solutions.

# LED Work Light - Model 803

## ELECTRICAL SPECIFICATIONS

<b>Input Voltage</b>	12-48V DC
<b>Operating Voltage</b>	10-60V DC
<b>Transient Spike Protection</b>	150V Peak @ 1 HZ-100 Pulses
<b>Black Wire</b>	Ground
<b>Current Draw</b>	.00042A @ 12V DC .00021A @ 24V DC .00014A @ 36V DC .00011A @ 48V DC

## REGULATORY STANDARDS COMPLIANCE



Buy America Standards  
IEC IP67

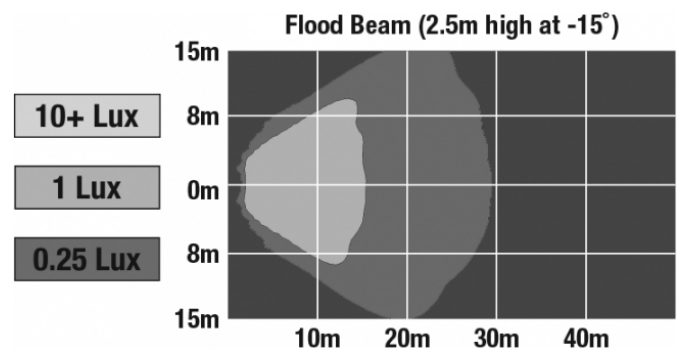


Eco Friendly  
UL Recognized



## PHOTOMETRIC SPECIFICATIONS

<b>Raw Lumen Output</b>	495
<b>Effective Lumen Output</b>	294
<b>Nominal LED Color Temperature</b>	5000 K



Print date: 2025-02-28

© 2025 J.W. Speaker Corporation • Germantown, WI U.S.A.  
www.jwspeaker.com • speaker@jwspeaker.com • 262.251.6660

# LED Work Light - Model 803

## APPLICATIONS

---



## PRODUCT WARNINGS

---

For California residents:

⚠ **WARNING:** Cancer and reproductive harm - [www.P65Warnings.ca.gov](http://www.P65Warnings.ca.gov).

⚠ **AVERTISSEMENT:** Cancer et effet nocif sur la reproduction - [www.P65Warnings.ca.gov](http://www.P65Warnings.ca.gov).

---

**Print date: 2025-02-28**

© 2025 J.W. Speaker Corporation • Germantown, WI U.S.A.  
[www.jwspeaker.com](http://www.jwspeaker.com) • [speaker@jwspeaker.com](mailto:speaker@jwspeaker.com) • 262.251.6660

**J.W. SPEAKER**   
*Engineered. Lighting. Solutions.*