

LED Work Lights - Model 770 XD

PRODUCT INFORMATION

| | |
|--------------------------------------|---|
| Description | 12-48V LED Work Light with Flood Beam Pattern & DT04-2P Connector |
| Height | 137.16 mm / 5.4 in |
| Width | 144.02 mm / 5.67 in |
| Depth | 56.90 mm / 2.24 in |
| Shape | Oval |
| Outer Lens Material | Polycarbonate |
| Outer Lens Color | Clear |
| Housing Material | Polycarbonate |
| Housing Color | Black |
| Mounting Hardware Description | (x1) 5/16"-18 x 1.25" Mounting Bolt |
| Mounting Type | Universal Pedestal Mount |
| Minimum Operating Temperature | -40 °C / -40 °F |
| Maximum Operating Temperature | 65 °C / 149 °F |
| Connector or Wiring | Integrated 2-Pin Deutsch Weather-Proof Socket (DT04-2P) |
| Mating Connector | 2-Pin Deutsch Weather-Proof Plug (DT06-2S) |
| Product Weight | 0.86 lbs / 0.39 kgs |
| Shipping Weight | 0.54 lbs / 0.24 kgs |



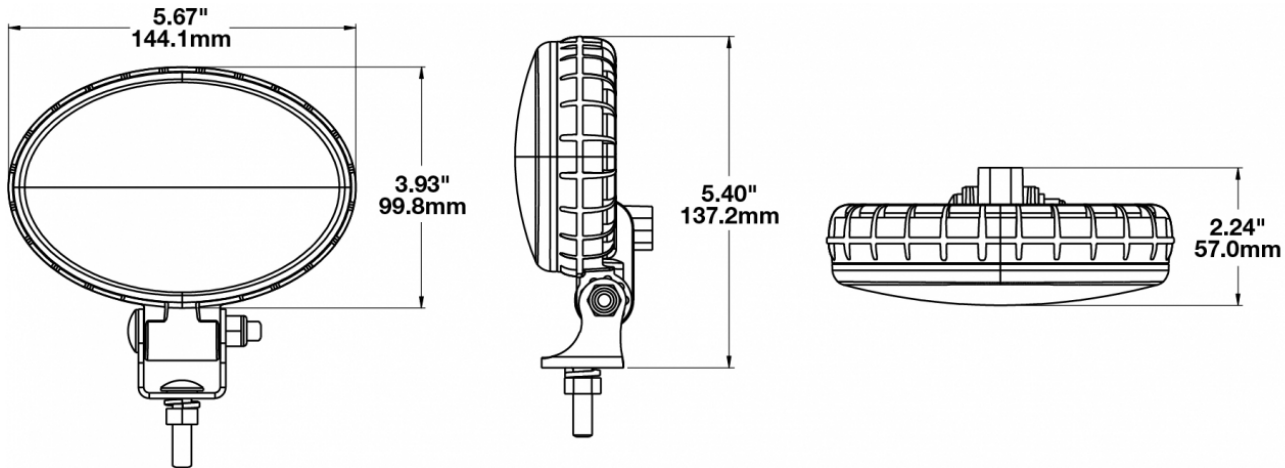
Print date: 2025-02-23

© 2025 J.W. Speaker Corporation • Germantown, WI U.S.A.
 www.jwspeaker.com • speaker@jwspeaker.com • 262.251.6660

J.W. SPEAKER 
 Engineered. Lighting. Solutions.

LED Work Lights - Model 770 XD

PRODUCT DIMENSIONS



ELECTRICAL SPECIFICATIONS

| | |
|-----------------------------------|--|
| Input Voltage | 12-48V DC |
| Operating Voltage | 10-55V DC |
| Transient Spike Protection | 330V Peak @ 1 HZ-100 Pulses |
| Red Wire | Positive |
| Black Wire | Negative |
| Current Draw | 1.00A @ 12V DC 0.48A @ 24V DC 0.32A @ 36V DC 0.25A @ 48V DC |

Print date: 2025-02-23

© 2025 J.W. Speaker Corporation • Germantown, WI U.S.A.
www.jwspeaker.com • speaker@jwspeaker.com • 262.251.6660

LED Work Lights - Model 770 XD

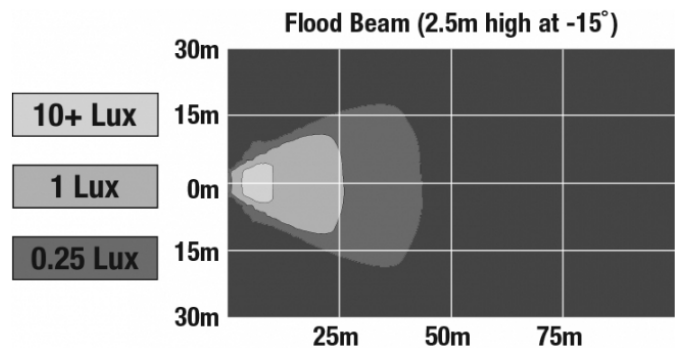
REGULATORY STANDARDS COMPLIANCE



| | |
|--|---------------|
| Buy America Standards | CISPR 12 |
| CISPR 22 | Eco Friendly |
| IEC IP67 | SAE J1113-13 |
| Tested to ECE Reg. 10 (Radiated Emissions only) | UL Recognized |

PHOTOMETRIC SPECIFICATIONS

| | |
|--------------------------------------|--|
| Raw Lumen Output | 900 |
| Effective Lumen Output | 700 |
| Nominal LED Color Temperature | 5000 K |
| Beam Pattern(s) | Forward Lighting - Flood (Standard) |



APPLICATIONS



Print date: 2025-02-23

© 2025 J.W. Speaker Corporation • Germantown, WI U.S.A.
 www.jwspeaker.com • speaker@jwspeaker.com • 262.251.6660

LED Work Lights - Model 770 XD

PRODUCT WARNINGS

For California residents:

⚠ **WARNING:** Cancer and reproductive harm - www.P65Warnings.ca.gov.

⚠ **AVERTISSEMENT:** Cancer et effet nocif sur la reproduction - www.P65Warnings.ca.gov.

ACCESSORIES



Part Number
8200011
Magnet Mount Kit for
XD Series Work Lights



Part Number
8200101
Stainless Steel
Mounting Kit for Work
Lights & Marine Lights



Part Number
8200491
Mounting Kit For Work
Lights

RELATED PRODUCTS



Part Number
1706041
12V LED Work Light
with Flood Beam
Pattern & DT04-2P
Connector



Part Number
1706051
12V LED Work Light
with Trapezoid Beam
Pattern & DT04-2P
Connector



Part Number
1706251
12-48V LED Work Light
with Trapezoid Beam
Pattern & DT04-2P
Connector



Part Number
1706261
12-48V LED Work Light
with Spot Beam
Pattern & DT04-2P
Connector



Part Number
1706461
12-48V LED Work Light
with Flood Beam
Pattern & PE12015792
Connector

Print date: 2025-02-23

© 2025 J.W. Speaker Corporation • Germantown, WI U.S.A.
www.jwspeaker.com • speaker@jwspeaker.com • 262.251.6660