

# LED Work Lights - Model 770 XD

## PRODUCT INFORMATION

---

<b>Description</b>	12V LED Work Light with Trapezoid Beam Pattern & DT04-2P Connector
<b>Height</b>	137.16 mm / 5.4 in
<b>Width</b>	144.02 mm / 5.67 in
<b>Depth</b>	56.90 mm / 2.24 in
<b>Shape</b>	Oval
<b>Outer Lens Material</b>	Polycarbonate
<b>Outer Lens Color</b>	Clear
<b>Housing Material</b>	Polycarbonate
<b>Housing Color</b>	Black
<b>Mounting Hardware Description</b>	(x1) 5/16"-18 x 1.25" Mounting Bolt
<b>Mounting Type</b>	Universal Pedestal Mount
<b>Minimum Operating Temperature</b>	-40 °C / -40 °F
<b>Maximum Operating Temperature</b>	65 °C / 149 °F
<b>Connector or Wiring</b>	Integrated 2-Pin Deutsch Weather-Proof Socket (DT04-2P)
<b>Mating Connector</b>	2-Pin Deutsch Weather-Proof Plug (DT06-2S)
<b>Product Weight</b>	0.86 lbs / 0.39 kgs
<b>Shipping Weight</b>	15.00 lbs / 6.8 kgs



---

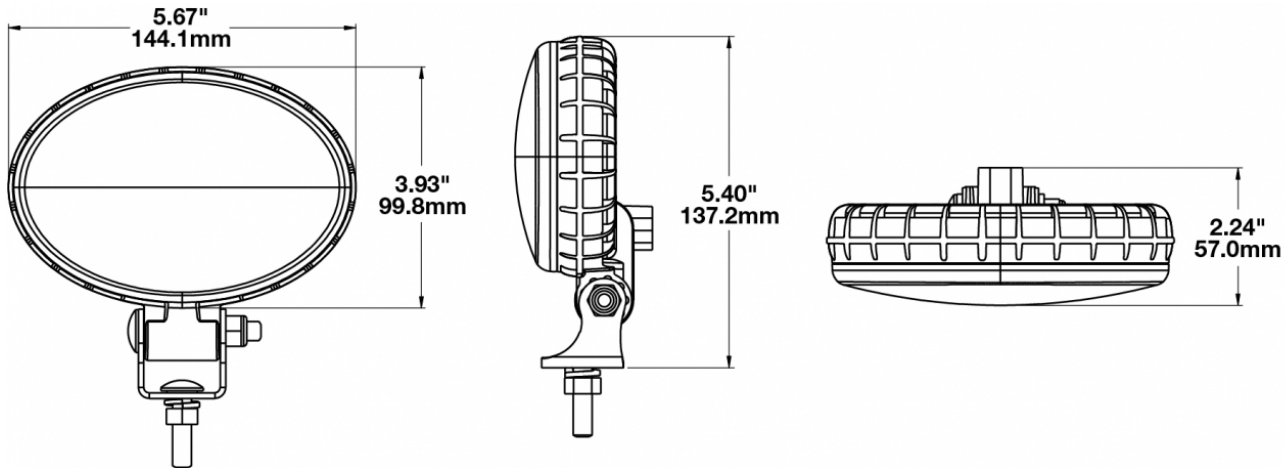
**Print date: 2024-12-12**

© 2024 J.W. Speaker Corporation • Germantown, WI U.S.A.  
www.jwspeaker.com • speaker@jwspeaker.com • 262.251.6660

**J.W. SPEAKER**   
Engineered. Lighting. Solutions.

# LED Work Lights - Model 770 XD

## PRODUCT DIMENSIONS



## ELECTRICAL SPECIFICATIONS

<b>Input Voltage</b>	12V DC
<b>Operating Voltage</b>	10-15V DC
<b>Transient Spike Protection</b>	330V Peak @ 1 HZ-100 Pulses
<b>Red Wire</b>	Positive
<b>Black Wire</b>	Negative
<b>Current Draw</b>	1.00A @ 12V DC

## REGULATORY STANDARDS COMPLIANCE



Buy America Standards  
 CISPR 22  
 IEC IP67  
 Tested to ECE Reg. 10  
 (Radiated Emissions only)

CISPR 12  
 Eco Friendly  
 SAE J1113-13

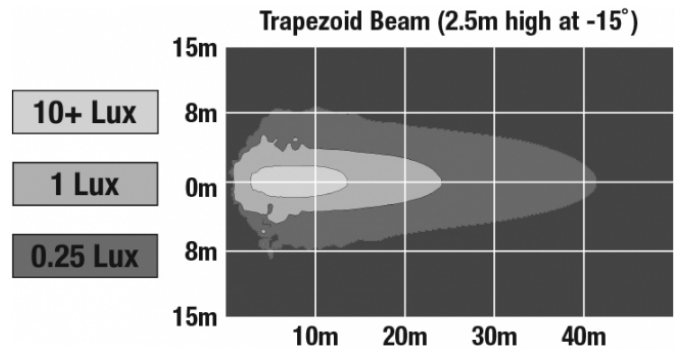
**Print date: 2024-12-12**

© 2024 J.W. Speaker Corporation • Germantown, WI U.S.A.  
 www.jwspeaker.com • speaker@jwspeaker.com • 262.251.6660

# LED Work Lights - Model 770 XD

## PHOTOMETRIC SPECIFICATIONS

<b>Raw Lumen Output</b>	900
<b>Effective Lumen Output</b>	700
<b>Nominal LED Color Temperature</b>	5000 K
<b>Beam Pattern(s)</b>	Forward Lighting - Trapezoid



## APPLICATIONS



## PRODUCT WARNINGS

For California residents:

⚠️ **WARNING:** Cancer and reproductive harm - [www.P65Warnings.ca.gov](http://www.P65Warnings.ca.gov).

⚠️ **AVERTISSEMENT:** Cancer et effet nocif sur la reproduction - [www.P65Warnings.ca.gov](http://www.P65Warnings.ca.gov).

Print date: 2024-12-12

© 2024 J.W. Speaker Corporation • Germantown, WI U.S.A.  
[www.jwspeaker.com](http://www.jwspeaker.com) • [speaker@jwspeaker.com](mailto:speaker@jwspeaker.com) • 262.251.6660

**J.W. SPEAKER**  
 Engineered. Lighting. Solutions.

# LED Work Lights - Model 770 XD

## ACCESSORIES

---



**Part Number**  
**8200011**  
Magnet Mount Kit for  
XD Series Work Lights



**Part Number**  
**8200101**  
Stainless Steel  
Mounting Kit for Work  
Lights & Marine Lights



**Part Number**  
**8200491**  
Mounting Kit For Work  
Lights

## RELATED PRODUCTS

---



**Part Number**  
**1706041**  
12V LED Work Light  
with Flood Beam  
Pattern & DT04-2P  
Connector



**Part Number**  
**1706241**  
12-48V LED Work Light  
with Flood Beam  
Pattern & DT04-2P  
Connector



**Part Number**  
**1706251**  
12-48V LED Work Light  
with Trapezoid Beam  
Pattern & DT04-2P  
Connector



**Part Number**  
**1706261**  
12-48V LED Work Light  
with Spot Beam  
Pattern & DT04-2P  
Connector



**Part Number**  
**1706461**  
12-48V LED Work Light  
with Flood Beam  
Pattern & PE12015792  
Connector