

Stainless Steel Mounting Kit for Work Lights & Marine Lights

PRODUCT INFORMATION

Description Stainless Steel Mounting Kit for Work Lights & Marine Lights

Shipping Weight 0.30 lbs / 0.14 kgs



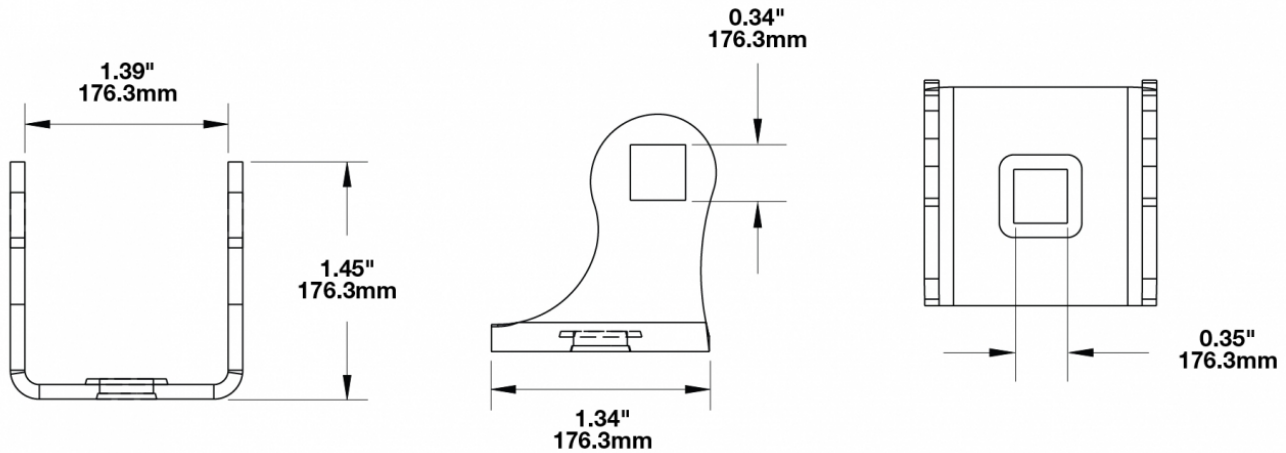
Print date: 2025-02-22

© 2025 J.W. Speaker Corporation • Germantown, WI U.S.A.
www.jwspeaker.com • speaker@jwspeaker.com • 262.251.6660

J.W. SPEAKER 
Engineered. Lighting. Solutions.

Stainless Steel Mounting Kit for Work Lights & Marine Lights

PRODUCT DIMENSIONS



REGULATORY STANDARDS COMPLIANCE



Buy America Standards

Eco Friendly

APPLICATIONS



Print date: 2025-02-22

© 2025 J.W. Speaker Corporation • Germantown, WI U.S.A.
www.jwspeaker.com • speaker@jwspeaker.com • 262.251.6660

Stainless Steel Mounting Kit for Work Lights & Marine Lights

PRODUCT WARNINGS

For California residents:

⚠ **WARNING:** Cancer and reproductive harm - www.P65Warnings.ca.gov.

⚠ **AVERTISSEMENT:** Cancer et effet nocif sur la reproduction - www.P65Warnings.ca.gov.

SUITS THESE PRODUCTS



4.5" Round Heated & Non-Heated Work Lights

LED Heated and Non-Heated Work Lights - Model 670 XD



5.75" Round LED Work Lights

LED Work Lights - Model 680 XD



5" x 3" Oval LED Work Lights

LED Work Lights - Model 770 XD



3" x 5" Oval LED Work Lights

LED Work Lights - Model 771 XD



3" x 5" Combination Work Lights & Turn Signal Lights

LED Work Lights & Turn Signal Lights - Model 775 XD



4" x 4" LED Work Lights

LED Work Lights - Model 840 XD



5" x 3" LED Work Lights

LED Work Lights - Model 880 XD

Print date: 2025-02-22

© 2025 J.W. Speaker Corporation • Germantown, WI U.S.A.
www.jwspeaker.com • speaker@jwspeaker.com • 262.251.6660

J.W. SPEAKER
 Engineered. Lighting. Solutions.