

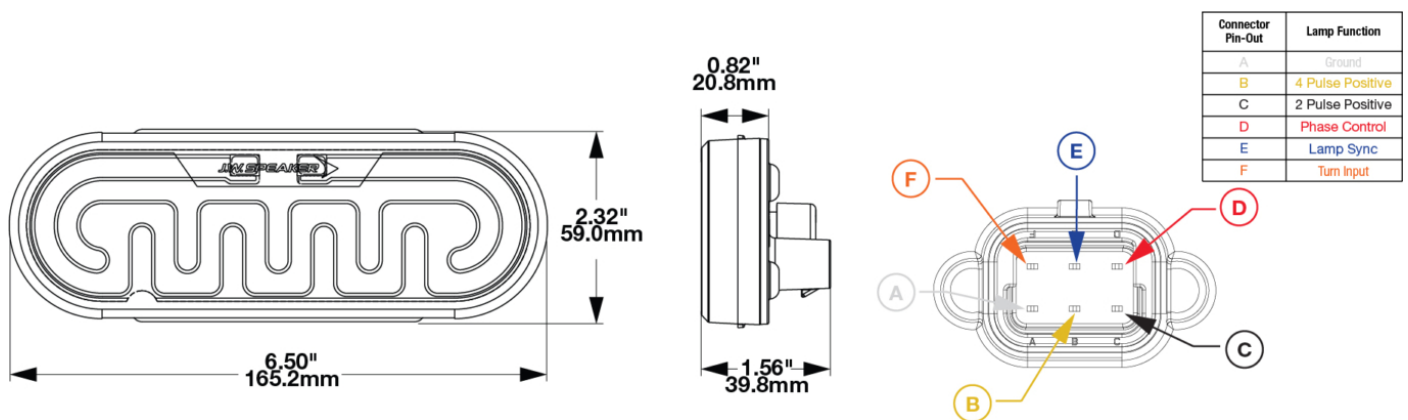
# Heated Oval LED Signal Light - Model 274

## PRODUCT INFORMATION

<b>Description</b>	12-24V DOT LED Heated BLUE Flash Signal Light
<b>Height</b>	57.00 mm / 2.24 in
<b>Width</b>	165.50 mm / 6.52 in
<b>Depth</b>	21.00 mm / 0.83 in
<b>Shape</b>	Oval
<b>Outer Lens Material</b>	Polycarbonate
<b>Outer Lens Color</b>	Clear
<b>Housing Material</b>	Polycarbonate
<b>Housing Color</b>	Black
<b>Bezel Color</b>	Blue
<b>Mounting Type</b>	Grommet/Flange Bracket
<b>Minimum Operating Temperature</b>	-40 °C / -40 °F
<b>Maximum Operating Temperature</b>	50 °C / 122 °F
<b>Connector or Wiring</b>	6-Pin Delphi (#12052848)
<b>Mating Connector</b>	Delphi (#12052848)
<b>Product Weight</b>	0.35 lbs / 0.16 kgs
<b>Shipping Weight</b>	0.35 lbs / 0.16 kgs



## PRODUCT DIMENSIONS



Print date: 2024-12-23

© 2024 J.W. Speaker Corporation • Germantown, WI U.S.A.  
 www.jwspeaker.com • speaker@jwspeaker.com • 262.251.6660

# Heated Oval LED Signal Light - Model 274

## ELECTRICAL SPECIFICATIONS

---

<b>Input Voltage</b>	12-24V DC
<b>Operating Voltage</b>	9-32V DC
<b>Transient Spike Protection</b>	330V Peak @ 1 HZ-100 Pulses
<b>Current Draw</b>	1.2A @ 12V DC (ALL FLASH MODES) .7A @ 24V DC (ALL FLASH MODES)

## REGULATORY STANDARDS COMPLIANCE

---



Buy America Standards	Eco Friendly
IEC IP69K	SAE J1113-13
SAE J1113-21	SAE J1113-4
SAE J595 (Class II)	Tested to ECE Reg. 10 (Radiated Emissions only)

## PHOTOMETRIC SPECIFICATIONS

---

<b>Beam Pattern(s)</b>	Warning - Flashing Warning Warning - Strobe
<b>Flash Rate 1</b>	2 Flash
<b>Flash Rate 2</b>	4 Flash
<b>Flash Rate 3</b>	6 Flash

## APPLICATIONS

---



Print date: 2024-12-23

© 2024 J.W. Speaker Corporation • Germantown, WI U.S.A.  
www.jwspeaker.com • speaker@jwspeaker.com • 262.251.6660

# Heated Oval LED Signal Light - Model 274

## PRODUCT WARNINGS

---

For California residents:

⚠ **WARNING:** Cancer and reproductive harm - [www.P65Warnings.ca.gov](http://www.P65Warnings.ca.gov).

⚠ **AVERTISSEMENT:** Cancer et effet nocif sur la reproduction - [www.P65Warnings.ca.gov](http://www.P65Warnings.ca.gov).

## ACCESSORIES

---



**Part Number**  
**4242891**  
Rubber Mounting  
Grommet for Model  
274



**Part Number**  
**5870261**  
Plastic Mounting  
Flange for Model 274



**Part Number**  
**8200581**  
Steel L-Shaped  
Mounting Bracket for  
Model 274



**Part Number**  
**8200591**  
Chrome Plastic Trim  
Ring for Model 274



**Part Number**  
**3270501**  
3-Pin AMP Connector  
Wire Harness  
Assembly

# Heated Oval LED Signal Light - Model 274

## RELATED PRODUCTS

---



**Part Number**  
**0346701**  
12-24V DOT LED  
Heated Red Stop, Tail,  
& Turn Light



**Part Number**  
**0346704**  
12-24V DOT LED  
Heated Red Stop, Tail,  
& Turn Light with  
Harness



**Part Number**  
**0346711**  
12-24V DOT LED  
Heated Amber Rear  
Turn Light



**Part Number**  
**0346714**  
12-24V DOT LED  
Heated Amber Rear  
Turn Light with  
Harness



**Part Number**  
**0346721**  
12-24V DOT LED  
Heated White Reverse  
Light



**Part Number**  
**0346724**  
12-24V DOT LED  
Heated White Reverse  
Light with Harness



**Part Number**  
**0346781**  
12-24V DOT LED  
Heated Amber Front  
Position & Front Turn  
Signal Light



**Part Number**  
**0346784**  
12-24V DOT LED  
Heated Amber Front  
Position & Front Turn  
Signal Light with  
Harness