

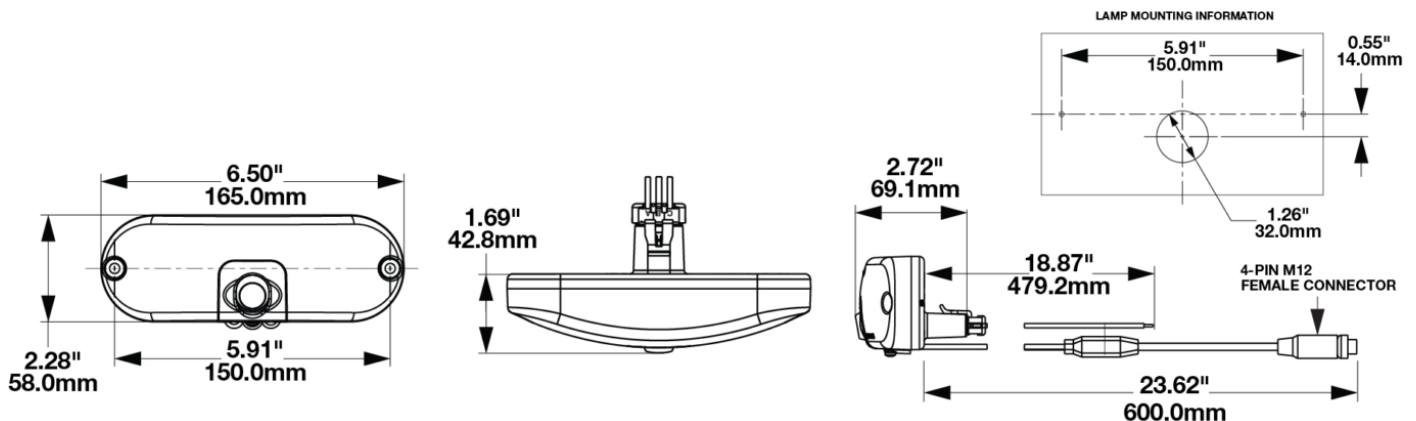
# LED Turn Signal Lights and CHMSL Tail Lights - Model 272

## PRODUCT INFORMATION

<b>Description</b>	12V DOT LED CHMSL with Camera - Red
<b>Height</b>	58.00 mm / 2.28 in
<b>Width</b>	165.00 mm / 6.5 in
<b>Depth</b>	69.00 mm / 2.72 in
<b>Shape</b>	Oval
<b>Outer Lens Material</b>	Polycarbonate
<b>Outer Lens Color</b>	Red
<b>Housing Material</b>	ABS
<b>Housing Color</b>	Black
<b>Bezel Color</b>	Black
<b>Minimum Operating Temperature</b>	-40 °C / -40 °F
<b>Maximum Operating Temperature</b>	65 °C / 149 °F
<b>Mating Connector</b>	PACKARD 12110290 or DELPHI 12059595
<b>Product Weight</b>	0.65 lbs / 0.29 kgs
<b>Shipping Weight</b>	0.75 lbs / 0.34 kgs



## PRODUCT DIMENSIONS



Print date: 2025-04-25

© 2025 J.W. Speaker Corporation • Germantown, WI U.S.A.  
www.jwspeaker.com • speaker@jwspeaker.com • 262.251.6660

**J.W. SPEAKER**  
Engineered. Lighting. Solutions.

# LED Turn Signal Lights and CHMSL Tail Lights - Model 272

## ELECTRICAL SPECIFICATIONS

<b>Input Voltage</b>	12V DC
<b>Operating Voltage</b>	9 - 18V DC
<b>Transient Spike Protection</b>	150V Peak @ 1 HZ-100 Pulses
<b>Current Draw</b>	0.08A @ 12V DC (STOP)

## REGULATORY STANDARDS COMPLIANCE



FMVSS 108 s7.9 (Table XV)    IEC IP69K

## PHOTOMETRIC SPECIFICATIONS

**Beam Pattern(s)**    Signalization - Stop

## APPLICATIONS



**Print date: 2025-04-25**

© 2025 J.W. Speaker Corporation • Germantown, WI U.S.A.  
www.jwspeaker.com • speaker@jwspeaker.com • 262.251.6660

# LED Turn Signal Lights and CHMSL Tail Lights - Model 272

## PRODUCT WARNINGS

---

For California residents:

⚠ **WARNING:** Cancer and reproductive harm - [www.P65Warnings.ca.gov](http://www.P65Warnings.ca.gov).

⚠ **AVERTISSEMENT:** Cancer et effet nocif sur la reproduction - [www.P65Warnings.ca.gov](http://www.P65Warnings.ca.gov).

## ACCESSORIES

---



**Part Number**  
**3271561**  
4 PIN M12 CABLE, 10  
m



**Part Number**  
**3271571**  
M12-RCA CONVERSION  
CABLE



**Part Number**  
**3271581**  
4 PIN M12 CABLE, 6 m



**Part Number**  
**6600771**  
COLOR MONITOR,  
4.3", RCA



**Part Number**  
**6600801**  
COLOR MONITOR, 5",  
M12

## RELATED PRODUCTS

---



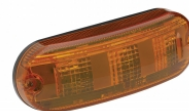
**Part Number**  
**0341801**  
12-24V ECE/SAE LED  
Front/Rear Turn Signal  
Light - Amber



**Part Number**  
**0341811**  
12-24V ECE/SAE LED  
Stop & Tail Light - Red



**Part Number**  
**0343181**  
12-24V ECE/SAE LED  
Rear Turn Signal Light  
- Amber



**Part Number**  
**0346391**  
12-24V ECE/SAE LED  
Flush Mount Turn  
Signal Light - Amber

---

**Print date: 2025-04-25**

© 2025 J.W. Speaker Corporation • Germantown, WI U.S.A.  
[www.jwspeaker.com](http://www.jwspeaker.com) • [speaker@jwspeaker.com](mailto:speaker@jwspeaker.com) • 262.251.6660