

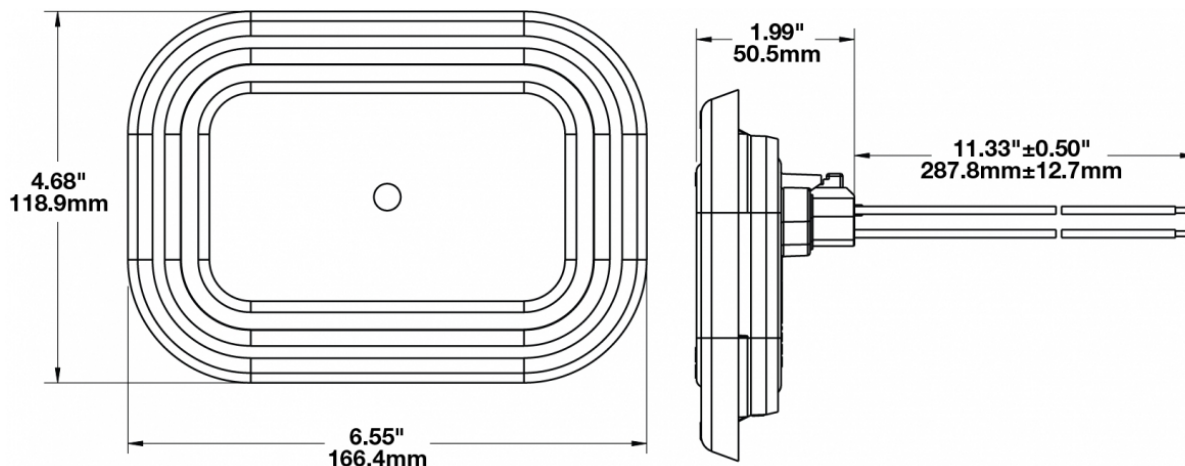
LED Signal Lights - Model 245

PRODUCT INFORMATION

Description	12-24V ECE/SAE LED Backup Light
Height	118.87 mm / 4.68 in
Width	166.37 mm / 6.55 in
Depth	50.55 mm / 1.99 in
Shape	Rectangular
Outer Lens Material	Acrylic
Outer Lens Color	Clear
Housing Material	ABS
Housing Color	Black
Mounting Type	Low Profile Mount
Minimum Operating Temperature	-40 °C / -40 °F
Maximum Operating Temperature	65 °C / 149 °F
Connector or Wiring	Integrated 3-Pin Deutsch Weather-Proof Socket (DT04-3P)
Mating Connector	3-Pin Deutsch Weather-Proof Plug (DT06-3S)
Product Weight	0.25 lbs / 0.11 kgs
Shipping Weight	1.20 lbs / 0.54 kgs



PRODUCT DIMENSIONS



Print date: 2024-09-16

© 2024 J.W. Speaker Corporation • Germantown, WI U.S.A.
 www.jwspeaker.com • speaker@jwspeaker.com • 262.251.6660

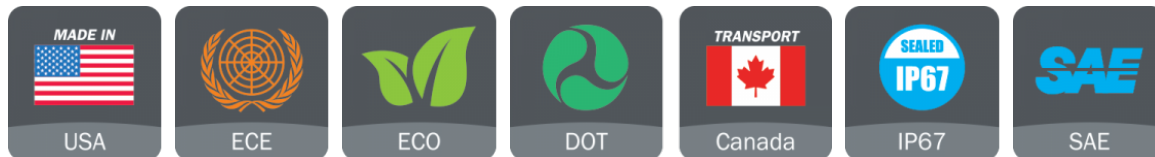
J.W. SPEAKER
 Engineered. Lighting. Solutions.

LED Signal Lights - Model 245

ELECTRICAL SPECIFICATIONS

Input Voltage	12-24V DC
Black Wire	Ground
Red Wire	Backup
Current Draw	0.4A @ 12V DC 0.23A @ 24V DC

REGULATORY STANDARDS COMPLIANCE



Buy America Standards	ECE Reg 23
Eco Friendly	FMVSS 108 s7.6 (Table XII)
IEC IP67	SAE J575
SAE J593	VSTD Item 33

PHOTOMETRIC SPECIFICATIONS

Nominal LED Color Temperature 5000 K

APPLICATIONS



Print date: 2024-09-16

© 2024 J.W. Speaker Corporation • Germantown, WI U.S.A.
www.jwspeaker.com • speaker@jwspeaker.com • 262.251.6660

J.W. SPEAKER
Engineered. Lighting. Solutions.

LED Signal Lights - Model 245

PRODUCT WARNINGS

For California residents:

⚠ **WARNING:** Cancer and reproductive harm - www.P65Warnings.ca.gov.

⚠ **AVERTISSEMENT:** Cancer et effet nocif sur la reproduction - www.P65Warnings.ca.gov.

RELATED PRODUCTS



Part Number
0343911
12-24V ECE/SAE LED
Stop & Tail Light



Part Number
0343921
12-24V ECE/SAE LED
Turn Signal Light