

# LED Signal Lights - Model 217

## PRODUCT INFORMATION

---

<b>Description</b>	12-24V SAE/ECE LED Backup Light without 90mm Mounting Assembly Adapter
<b>Height</b>	72.39 mm / 2.85 in
<b>Width</b>	72.39 mm / 2.85 in
<b>Depth</b>	39.62 mm / 1.56 in
<b>Shape</b>	Round
<b>Outer Lens Material</b>	Polycarbonate
<b>Outer Lens Color</b>	Clear
<b>Housing Material</b>	Polycarbonate
<b>Housing Color</b>	Black
<b>Mounting Hardware Description</b>	(x2) #8-1/2" x Screws
<b>Mounting Type</b>	Universal Mount
<b>Minimum Operating Temperature</b>	-40 °C / -40 °F
<b>Maximum Operating Temperature</b>	65 °C / 149 °F
<b>Connector or Wiring</b>	610mm Cable
<b>Product Weight</b>	0.20 lbs / 0.09 kgs
<b>Shipping Weight</b>	0.23 lbs / 0.1 kgs



---

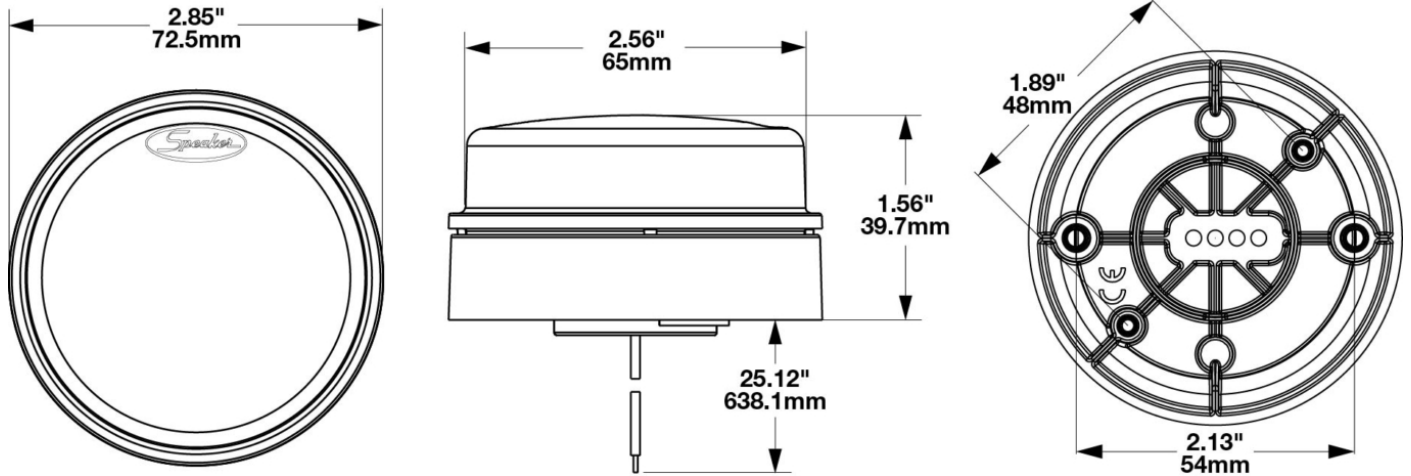
**Print date: 2025-02-28**

© 2025 J.W. Speaker Corporation • Germantown, WI U.S.A.  
www.jwspeaker.com • speaker@jwspeaker.com • 262.251.6660

**J.W. SPEAKER**   
*Engineered. Lighting. Solutions.*

# LED Signal Lights - Model 217

## PRODUCT DIMENSIONS



## ELECTRICAL SPECIFICATIONS

<b>Input Voltage</b>	12-24V DC
<b>White Wire</b>	Backup
<b>Black Wire</b>	Ground
<b>Current Draw</b>	0.12A @ 12V DC 0.07A @ 24V DC

## REGULATORY STANDARDS COMPLIANCE



Buy America Standards  
Eco Friendly  
IEC IP67

ECE Reg 23  
FMVSS 108 s7.6 (Table XII)

Print date: 2025-02-28

© 2025 J.W. Speaker Corporation • Germantown, WI U.S.A.  
www.jwspeaker.com • speaker@jwspeaker.com • 262.251.6660

# LED Signal Lights - Model 217

## PHOTOMETRIC SPECIFICATIONS

Nominal LED Color 5000 K  
Temperature

## APPLICATIONS



## PRODUCT WARNINGS

For California residents:

⚠ **WARNING:** Cancer and reproductive harm - [www.P65Warnings.ca.gov](http://www.P65Warnings.ca.gov).

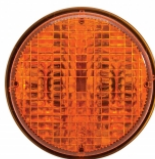
⚠ **AVERTISSEMENT:** Cancer et effet nocif sur la reproduction - [www.P65Warnings.ca.gov](http://www.P65Warnings.ca.gov).

## RELATED PRODUCTS



**Part Number**  
**0345411**

12-24V ECE LED Stop  
& Tail Light without  
90mm Mounting  
Assembly Adapter



**Part Number**  
**0345441**

12-24V SAE/ECE LED  
Turn Signal without  
90mm Mounting  
Assembly Adapter



**Part Number**  
**0345451**

12-24V SAE/ECE LED  
DRL & Front Position  
Light with 90mm  
Mounting Assembly  
Adapter



**Part Number**  
**0345461**

12-24V SAE/ECE LED  
DRL & Front Position  
Light without 90mm  
Mounting Assembly  
Adapter



**Part Number**  
**0345521**

12-24V SAE/ECE LED  
Turn Signal with  
90mm Mounting  
Assembly Adapter

Print date: 2025-02-28

© 2025 J.W. Speaker Corporation • Germantown, WI U.S.A.  
[www.jwspeaker.com](http://www.jwspeaker.com) • [speaker@jwspeaker.com](mailto:speaker@jwspeaker.com) • 262.251.6660

**J.W. SPEAKER**  
Engineered. Lighting. Solutions.