

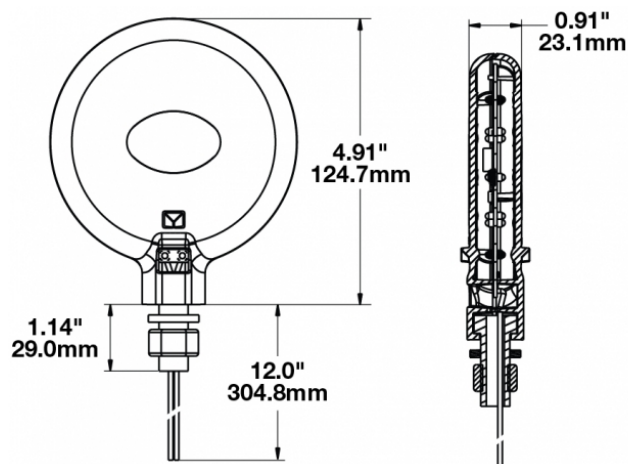
LED Signal Lights - Model 206

PRODUCT INFORMATION

Description	12-24V ECE/SAE Single-Sided LED Stop & Tail Light without Guard
Height	124.71 mm / 4.91 in
Width	124.71 mm / 4.91 in
Depth	23.11 mm / 0.91 in
Shape	Round
Outer Lens Material	Polycarbonate
Outer Lens Color	Red
Housing Material	Polycarbonate
Housing Color	Black
Mounting Hardware Description	(x1) 1/2"-13 x 1.25" Hollow Mounting Stud
Mounting Type	Hollow Stud Mount
Minimum Operating Temperature	-40 °C / -40 °F
Maximum Operating Temperature	65 °C / 149 °F
Connector or Wiring	12" Bare Leads
Product Weight	0.39 lbs / 0.18 kgs
Shipping Weight	1.80 lbs / 0.82 kgs



PRODUCT DIMENSIONS



Print date: 2024-11-22

© 2024 J.W. Speaker Corporation • Germantown, WI U.S.A.
www.jwspeaker.com • speaker@jwspeaker.com • 262.251.6660

J.W. SPEAKER
 Engineered. Lighting. Solutions.

LED Signal Lights - Model 206

ELECTRICAL SPECIFICATIONS

Input Voltage	12-24V DC
Black Wire	Ground
Red Wire	Stop
White Wire	Tail
Current Draw	0.100 A @ 12V DC (Stop) 0.05A @ 24V DC (Stop) 0.010A @ 12V DC (Tail) 0.006A @ 24V DC (Tail)

REGULATORY STANDARDS COMPLIANCE

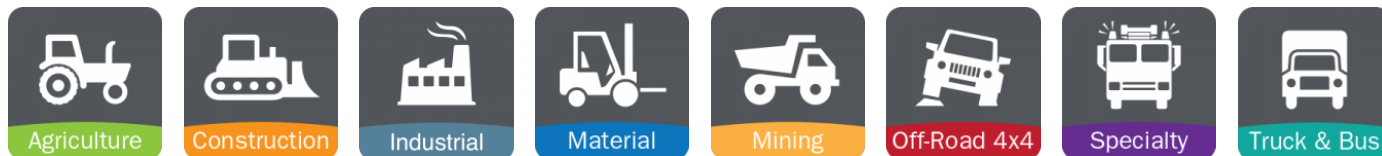


ASABE S279	Buy America Standards
ECE Reg 7	Eco Friendly
FMVSS 108 s7.2 (Table VIII)	FMVSS 108 s7.3 (Table IX)
IEC IP67	SAE J2040
SAE J585	SAE J586

PHOTOMETRIC SPECIFICATIONS

Beam Pattern(s)	Signalization - Stop Signalization - Tail
------------------------	--

APPLICATIONS



Print date: 2024-11-22

© 2024 J.W. Speaker Corporation • Germantown, WI U.S.A.
www.jwspeaker.com • speaker@jwspeaker.com • 262.251.6660

J.W. SPEAKER
Engineered. Lighting. Solutions.

LED Signal Lights - Model 206

PRODUCT WARNINGS

For California residents:

⚠ **WARNING:** Cancer and reproductive harm - www.P65Warnings.ca.gov.

⚠ **AVERTISSEMENT:** Cancer et effet nocif sur la reproduction - www.P65Warnings.ca.gov.

RELATED PRODUCTS



Part Number
0341681

12-24V SAE Double-Sided LED Turn Signal without Guard



Part Number
0341931

12-24V SAE Double-Sided LED Turn Signal with Guard



Part Number
0342781

12-24V ECE/SAE Single-Sided LED Stop & Tail Light with Guard