

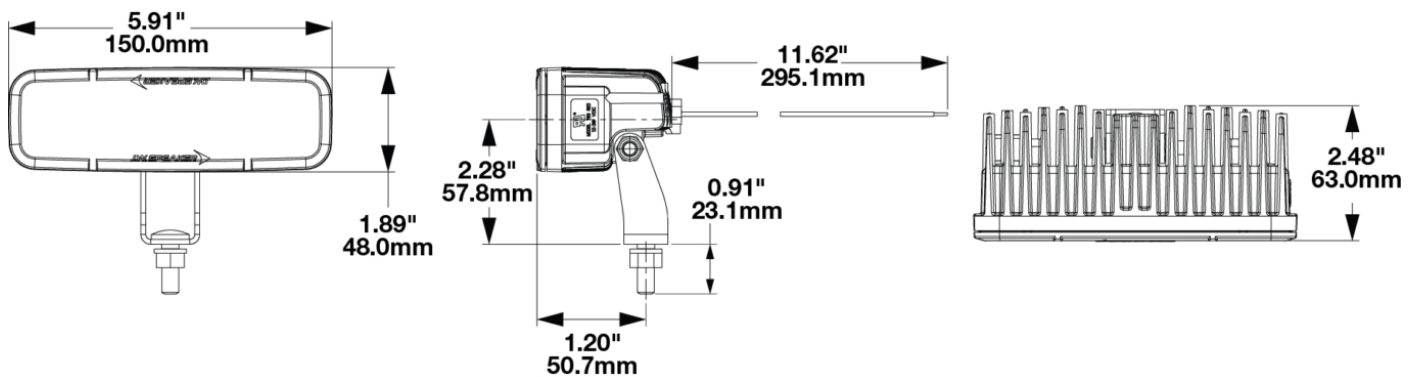
# LED Safety Lights - Model 793

## PRODUCT INFORMATION

<b>Description</b>	48-110V LED Amber Stripe Zone Light, Long Bracket
<b>Product Weight</b>	0.79 lbs / 0.36 kgs
<b>Shipping Weight</b>	0.98 lbs / 0.44 kgs



## PRODUCT DIMENSIONS



Print date: 2025-02-22

© 2025 J.W. Speaker Corporation • Germantown, WI U.S.A.  
www.jwspeaker.com • speaker@jwspeaker.com • 262.251.6660

**J.W. SPEAKER**  
Engineered. Lighting. Solutions.

# LED Safety Lights - Model 793

## ELECTRICAL SPECIFICATIONS

<b>Input Voltage</b>	48-110V DC
<b>Operating Voltage</b>	38-120V DC
<b>Transient Spike Protection</b>	330V Peak @ 1 HZ-100 Pulses
<b>red Wire</b>	power
<b>black Wire</b>	ground
<b>Current Draw</b>	0.350A @ 48V DC 0.409A @ 62V DC 0.350A @ 72V DC 0.407A @ 80V DC

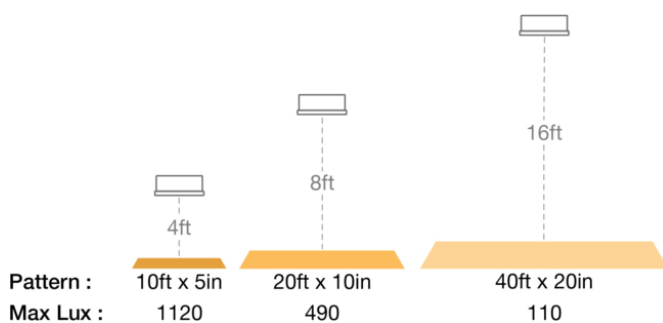
## REGULATORY STANDARDS COMPLIANCE



Buy America Standards  
IEC IP69K

Eco Friendly  
UL Recognized

## PHOTOMETRIC SPECIFICATIONS



Print date: 2025-02-22

© 2025 J.W. Speaker Corporation • Germantown, WI U.S.A.  
www.jwspeaker.com • speaker@jwspeaker.com • 262.251.6660

# LED Safety Lights - Model 793

## APPLICATIONS

---



## PRODUCT WARNINGS

---

For California residents:

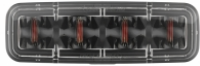
**⚠ WARNING:** Cancer and reproductive harm - [www.P65Warnings.ca.gov](http://www.P65Warnings.ca.gov).

**⚠ AVERTISSEMENT:** Cancer et effet nocif sur la reproduction - [www.P65Warnings.ca.gov](http://www.P65Warnings.ca.gov).

# LED Safety Lights - Model 793

## RELATED PRODUCTS

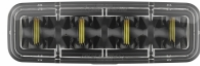
---



**Part Number**  
**1603631**  
12-36V LED Red Stripe  
Zone Light



**Part Number**  
**1603641**  
12-36V LED Blue  
Stripe Zone Light



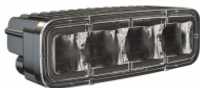
**Part Number**  
**1603651**  
12-36V LED Amber  
Stripe Zone Light



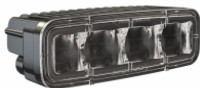
**Part Number**  
**1603681**  
12-36V LED Red Stripe  
Zone Light with  
Shroud



**Part Number**  
**1603761**  
12-36V LED Red  
Stripe, Long Bracket



**Part Number**  
**1603771**  
12-36V LED Blue  
Stripe, Long Bracket



**Part Number**  
**1603781**  
12-36V Amber Stripe  
Zone Light, Long  
Bracket



**Part Number**  
**1603791**  
12-36V Red Stripe with  
Shroud, Long Bracket