

# LED Safety Lights - Model 793

## PRODUCT INFORMATION

<b>Description</b>	12-36V Red Stripe with Shroud, Long Bracket
<b>Height</b>	48.00 mm / 1.89 in
<b>Width</b>	150.00 mm / 5.91 in
<b>Depth</b>	97.00 mm / 3.82 in
<b>Shape</b>	Rectangular
<b>Outer Lens Material</b>	Polycarbonate
<b>Outer Lens Color</b>	Clear
<b>Housing Material</b>	Aluminum
<b>Housing Color</b>	Black
<b>Bezel Color</b>	Black
<b>Mounting Hardware Description</b>	(x1) 5/16"-18 x 1.00" Mounting Bolt Bracket
<b>Mounting Type</b>	Pedestal
<b>Minimum Operating Temperature</b>	-40 °C / -40 °F
<b>Maximum Operating Temperature</b>	65 °C / 149 °F
<b>Connector or Wiring</b>	Deutsch DT04-2P
<b>Mating Connector</b>	Deutsch DT06-2S with harness included with flying leads
<b>Product Weight</b>	0.90 lbs / 0.41 kgs
<b>Shipping Weight</b>	1.09 lbs / 0.49 kgs



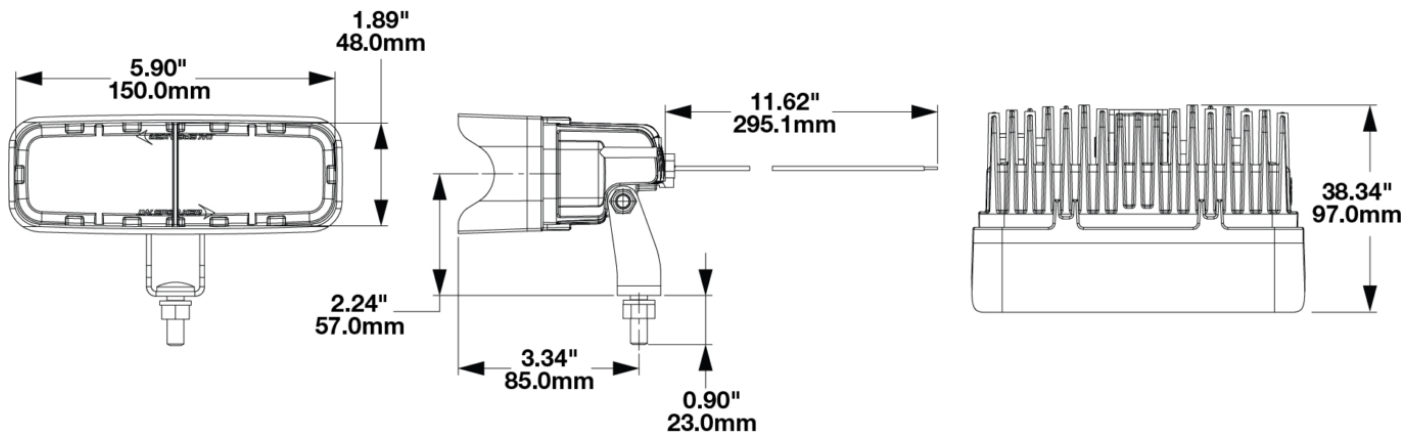
**Print date: 2025-02-23**

© 2025 J.W. Speaker Corporation • Germantown, WI U.S.A.  
www.jwspeaker.com • speaker@jwspeaker.com • 262.251.6660

**J.W. SPEAKER**   
Engineered. Lighting. Solutions.

# LED Safety Lights - Model 793

## PRODUCT DIMENSIONS



## ELECTRICAL SPECIFICATIONS

<b>Input Voltage</b>	12-36 V
<b>Operating Voltage</b>	10-45 V
<b>Current Draw</b>	1.6A @ 12V .6A @ 24V .57A @ 36V

## REGULATORY STANDARDS COMPLIANCE



Buy America Standards  
IEC IP69K

Eco Friendly

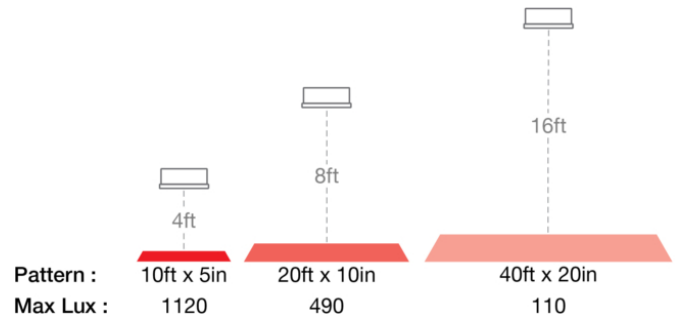
Print date: 2025-02-23

© 2025 J.W. Speaker Corporation • Germantown, WI U.S.A.  
www.jwspeaker.com • speaker@jwspeaker.com • 262.251.6660

# LED Safety Lights - Model 793

## PHOTOMETRIC SPECIFICATIONS

**Beam Pattern(s)** Warning - Keep Out Zone



## APPLICATIONS



## PRODUCT WARNINGS

For California residents:

⚠ **WARNING:** Cancer and reproductive harm - [www.P65Warnings.ca.gov](http://www.P65Warnings.ca.gov).

⚠ **AVERTISSEMENT:** Cancer et effet nocif sur la reproduction - [www.P65Warnings.ca.gov](http://www.P65Warnings.ca.gov).

**Print date: 2025-02-23**

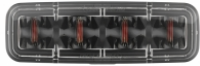
© 2025 J.W. Speaker Corporation • Germantown, WI U.S.A.  
[www.jwspeaker.com](http://www.jwspeaker.com) • [speaker@jwspeaker.com](mailto:speaker@jwspeaker.com) • 262.251.6660

**J.W. SPEAKER**  
 Engineered. Lighting. Solutions.

# LED Safety Lights - Model 793

## RELATED PRODUCTS

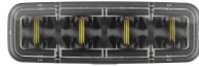
---



**Part Number**  
**1603631**  
12-36V LED Red Stripe  
Zone Light



**Part Number**  
**1603641**  
12-36V LED Blue  
Stripe Zone Light



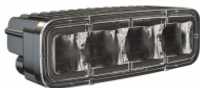
**Part Number**  
**1603651**  
12-36V LED Amber  
Stripe Zone Light



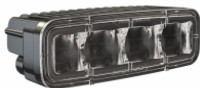
**Part Number**  
**1603681**  
12-36V LED Red Stripe  
Zone Light with  
Shroud



**Part Number**  
**1603761**  
12-36V LED Red  
Stripe, Long Bracket



**Part Number**  
**1603771**  
12-36V LED Blue  
Stripe, Long Bracket



**Part Number**  
**1603781**  
12-36V Amber Stripe  
Zone Light, Long  
Bracket



**Part Number**  
**1603811**  
48-110V LED Red  
Stripe Zone Light,  
Short Bracket