

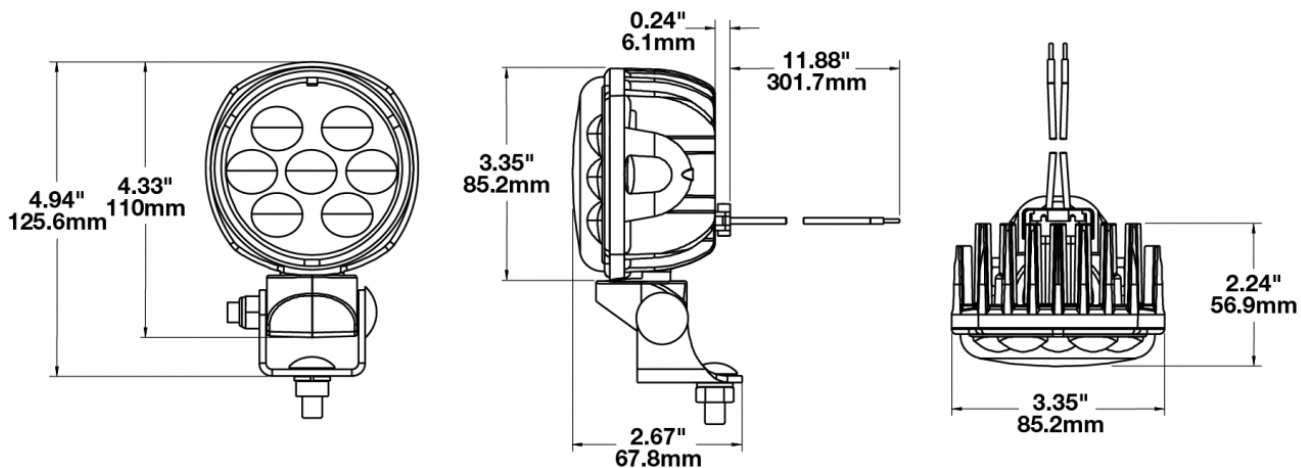
# LED Safety Light - Model 4415

## PRODUCT INFORMATION

<b>Description</b>	12-110V LED Blue Warning Light
<b>Height</b>	110.00 mm / 4.33 in
<b>Width</b>	85.20 mm / 3.35 in
<b>Depth</b>	56.90 mm / 2.24 in
<b>Shape</b>	Round
<b>Outer Lens Material</b>	Polycarbonate
<b>Outer Lens Color</b>	Clear
<b>Housing Material</b>	Die-Cast Aluminum
<b>Housing Color</b>	Black
<b>Mounting Hardware Description</b>	(x1) M8-20 x 1.25 Mounting Bolt Black ZP
<b>Mounting Type</b>	Pedestal
<b>Mating Connector</b>	Packard Delphi 12059183
<b>Product Weight</b>	1.40 lbs / 0.64 kgs
<b>Shipping Weight</b>	1.10 lbs / 0.5 kgs



## PRODUCT DIMENSIONS



Print date: 2025-02-23

© 2025 J.W. Speaker Corporation • Germantown, WI U.S.A.  
 www.jwspeaker.com • speaker@jwspeaker.com • 262.251.6660

**J.W. SPEAKER**  
 Engineered. Lighting. Solutions.

# LED Safety Light - Model 4415

## ELECTRICAL SPECIFICATIONS

<b>Input Voltage</b>	12-110V DC
<b>Red Wire</b>	Power
<b>Black Wire</b>	Ground
<b>Current Draw</b>	1.50A @ 12V DC 1.05A @ 24V DC 0.51A @ 48V DC 0.40A @ 60V DC 0.25A @ 110V DC

## REGULATORY STANDARDS COMPLIANCE

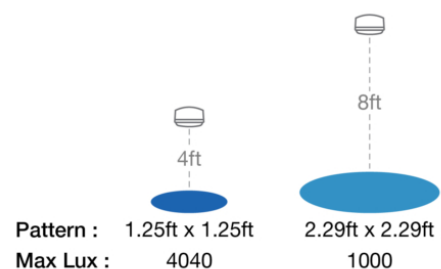


Buy America Standards  
IEC IP67

Eco Friendly  
UL Recognized

## PHOTOMETRIC SPECIFICATIONS

<b>Effective Lumen Output</b>	258
<b>Candela Output</b>	10,268
<b>Beam Pattern(s)</b>	Warning - Keep Out Zone



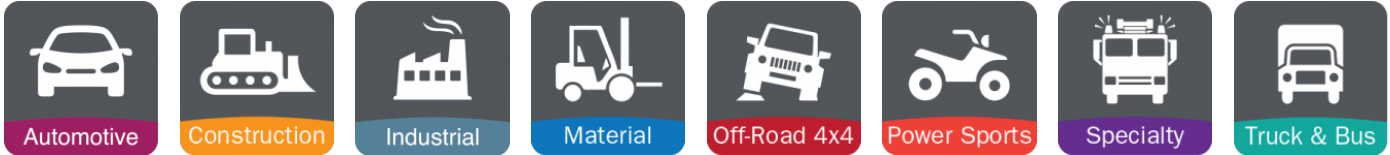
Print date: 2025-02-23

© 2025 J.W. Speaker Corporation • Germantown, WI U.S.A.  
www.jwspeaker.com • speaker@jwspeaker.com • 262.251.6660

# LED Safety Light - Model 4415

## APPLICATIONS

---



## PRODUCT WARNINGS

---

For California residents:

⚠ **WARNING:** Cancer and reproductive harm - [www.P65Warnings.ca.gov](http://www.P65Warnings.ca.gov).

⚠ **AVERTISSEMENT:** Cancer et effet nocif sur la reproduction - [www.P65Warnings.ca.gov](http://www.P65Warnings.ca.gov).

## RELATED PRODUCTS

---



**Part Number**

**0552981**

12-110V LED Red  
Warning Light