

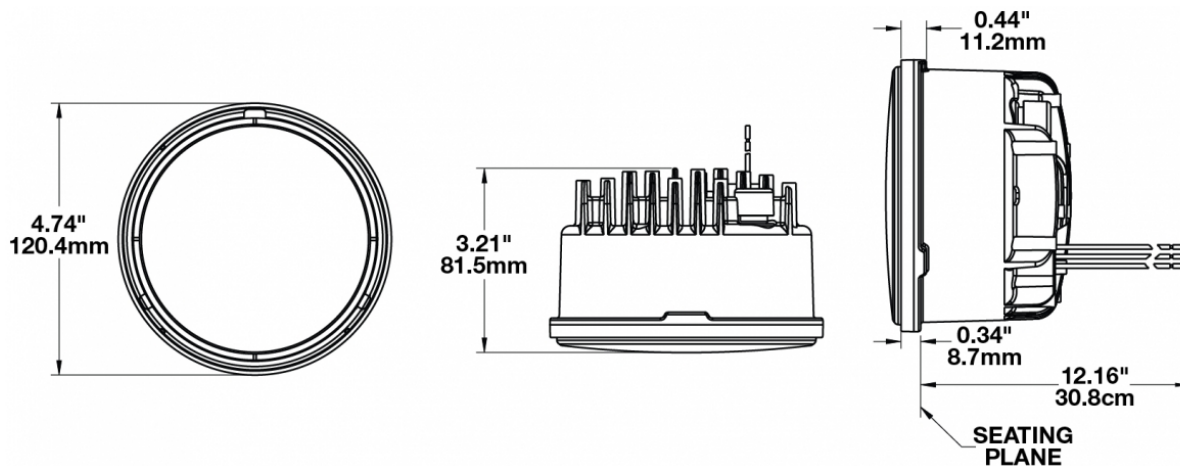
LED Headlights - Model 6130 Evolution

PRODUCT INFORMATION

Description	12-24V DOT/ECE LED RHT High & Low Beam Headlight with Front Position
Height	120.40 mm / 4.74 in
Width	120.40 mm / 4.74 in
Depth	81.53 mm / 3.21 in
Shape	Round
Outer Lens Material	Polycarbonate
Outer Lens Color	Clear
Housing Material	Aluminum
Housing Color	Black
Bezel Color	Black
Connector or Wiring	12" Flying Leads
Mating Connector	n/a
Product Weight	1.55 lbs / 0.7 kgs
Shipping Weight	1.68 lbs / 0.76 kgs



PRODUCT DIMENSIONS



Print date: 2025-02-23

© 2025 J.W. Speaker Corporation • Germantown, WI U.S.A.
 www.jwspeaker.com • speaker@jwspeaker.com • 262.251.6660

J.W. SPEAKER
 Engineered. Lighting. Solutions.

LED Headlights - Model 6130 Evolution

ELECTRICAL SPECIFICATIONS

Input Voltage	12-24V DC
Operating Voltage	10-30V DC
Transient Spike Protection	150V Peak @ 1 HZ-100 Pulses
Black Wire	Ground
Yellow Wire	Low Beam
White Wire	High Beam
Red Wire	Front Position
Current Draw	3.00A @ 12V DC (High Beam) 1.43A @ 24V DC (High Beam) 2.30A @ 12V DC (Low Beam) 1.01A @ 24V DC (Low Beam) 0.12A @ 12V DC (Front Position) 0.09A @ 24V DC (Front Position)

REGULATORY STANDARDS COMPLIANCE



Buy America Standards	ECE Reg 112
ECE Reg 7	Eco Friendly
FMVSS 108 s10.1 (Table XIX)	FMVSS 108 s10.1 (Table XVIII)
IEC IP67	

Print date: 2025-02-23

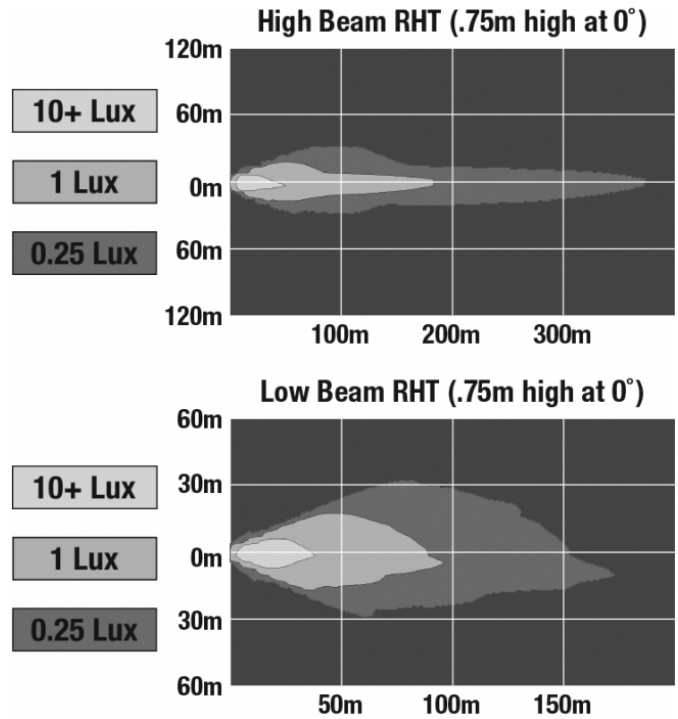
© 2025 J.W. Speaker Corporation • Germantown, WI U.S.A.
www.jwspeaker.com • speaker@jwspeaker.com • 262.251.6660

J.W. SPEAKER 
Engineered. Lighting. Solutions.

LED Headlights - Model 6130 Evolution

PHOTOMETRIC SPECIFICATIONS

Raw Lumen Output	2,230 (High Beam); 1,330 (Low Beam)
Effective Lumen Output	840 (High Beam); 440 (Low Beam)
Beam Pattern(s)	Forward Lighting - High Beam (DOT/ECE) Forward Lighting - Low Beam (ECE Right Hand) Signalization - Front Position



APPLICATIONS



Print date: 2025-02-23

© 2025 J.W. Speaker Corporation • Germantown, WI U.S.A.
www.jwspeaker.com • speaker@jwspeaker.com • 262.251.6660

LED Headlights - Model 6130 Evolution

ADDITIONAL INFORMATION

Jump Start: 48V for 2 min
Reverse Polarity: -24V for 2 min
Load Dump: 150V 5 pulses 10 sec intervals
Inductive Switching: 600V 10 pulses 1 sec intervals
Mutual Coupling: 300V 10 pulses 1 sec intervals

PRODUCT WARNINGS

For California residents:

⚠ **WARNING:** Cancer and reproductive harm - www.P65Warnings.ca.gov.

⚠ **AVERTISSEMENT:** Cancer et effet nocif sur la reproduction - www.P65Warnings.ca.gov.

RELATED PRODUCTS



Part Number

0549891

12-24V ECE LED LHT
High & Low Beam
Headlight with Front
Position

Print date: 2025-02-23

© 2025 J.W. Speaker Corporation • Germantown, WI U.S.A.
www.jwspeaker.com • speaker@jwspeaker.com • 262.251.6660