

LED Headlight - Model 8770 Locomotive

PRODUCT INFORMATION

Description	24-110V LED Locomotive Headlight with Spot Beam Pattern & Heated Lens
Height	170.00 mm / 6.69 in
Width	170.00 mm / 6.69 in
Depth	103.00 mm / 4.06 in
Shape	Round
Outer Lens Material	Polycarbonate
Outer Lens Color	Clear
Housing Material	Aluminum
Housing Color	Gray
Bezel Color	Black
Mounting Type	Panel
Retrofits	2D1 "PAR56" or 7" Round Headlights
Minimum Operating Temperature	-40 °C / -40 °F
Maximum Operating Temperature	65 °C / 149 °F
Connector or Wiring	Standard Sealed Beam Style Screw Terminals
Product Weight	2.60 lbs / 1.18 kgs
Shipping Weight	3.10 lbs / 1.41 kgs
Additional Information	EN 55011: 2007 IEC 61000-4-5: 2014 EN 61000-4-3 EN 61000-4-4: 2012 EN 50155_2007 Additional Transient: 1500V chassis to ground short protection



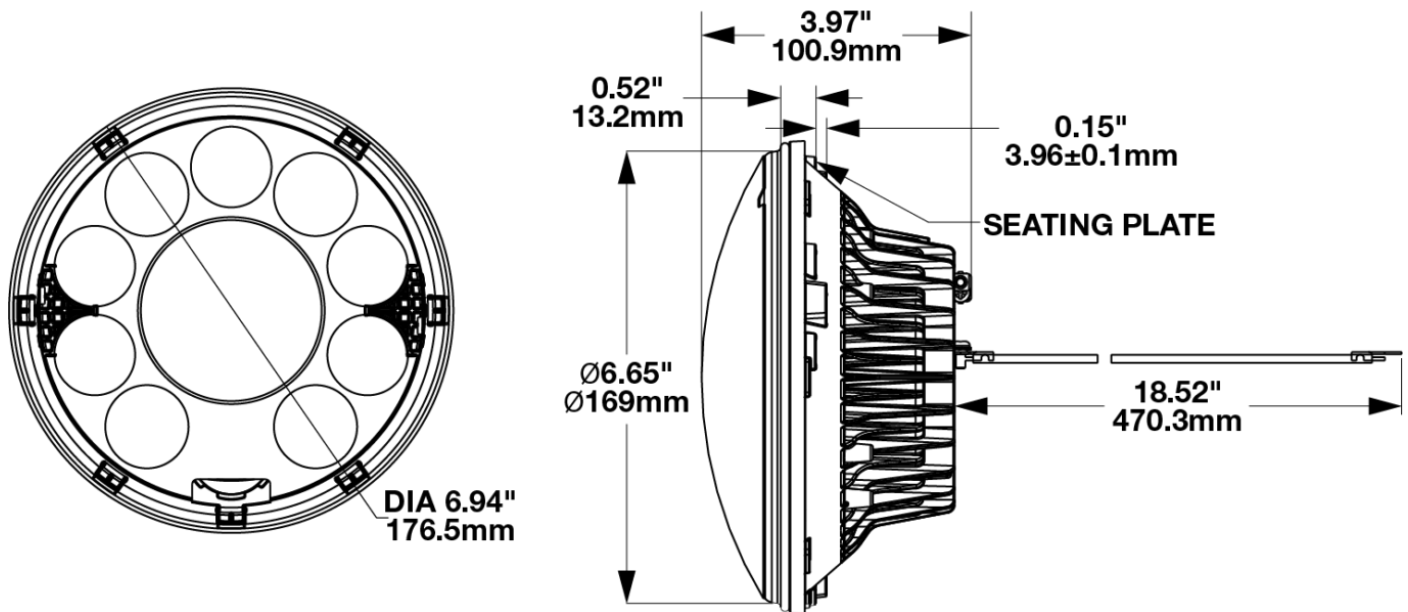
Print date: 2025-01-27

© 2025 J.W. Speaker Corporation • Germantown, WI U.S.A.
www.jwspeaker.com • speaker@jwspeaker.com • 262.251.6660

J.W. SPEAKER 
Engineered. Lighting. Solutions.

LED Headlight - Model 8770 Locomotive

PRODUCT DIMENSIONS



ELECTRICAL SPECIFICATIONS

Input Voltage	24-110V DC
Operating Voltage	18-130V DC
Transient Spike Protection	330V Peak @ 1 HZ-100 Pulses
Current Draw	3.20A @ 24V DC (High Output) 1.20A @ 75V DC (High Output) 0.85A @ 110V DC (High Output) 2.60A @ 24V DC (Low Output) 0.85A @ 75V DC (Low Output) 0.75A @ 110V DC (Low Output)

Print date: 2025-01-27

© 2025 J.W. Speaker Corporation • Germantown, WI U.S.A.
www.jwspeaker.com • speaker@jwspeaker.com • 262.251.6660

LED Headlight - Model 8770 Locomotive

REGULATORY STANDARDS COMPLIANCE



Buy America Standards

Eco Friendly

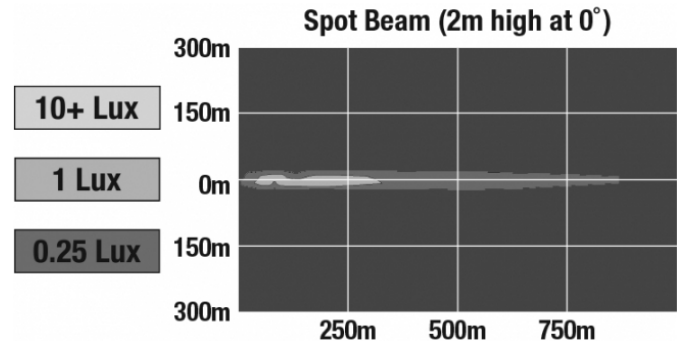
FRA Title 49 CFR 229.125 (a) FRA Title 49 CFR 229.125 (b)

FRA Title 49 CFR 229.125 (d) IEC IP66
(2)

Tested to ECE Reg. 10
(Radiated Emissions only)

PHOTOMETRIC SPECIFICATIONS

Raw Lumen Output	2,200
Effective Lumen Output	1,800
Candela Output	230,000
Nominal LED Color Temperature	5100 K
Beam Pattern(s)	Forward Lighting - Spot



APPLICATIONS



Print date: 2025-01-27

© 2025 J.W. Speaker Corporation • Germantown, WI U.S.A.
www.jwspeaker.com • speaker@jwspeaker.com • 262.251.6660

LED Headlight - Model 8770 Locomotive

PRODUCT WARNINGS

For California residents:

⚠ **WARNING:** Cancer and reproductive harm - www.P65Warnings.ca.gov.

⚠ **AVERTISSEMENT:** Cancer et effet nocif sur la reproduction - www.P65Warnings.ca.gov.

RELATED PRODUCTS



Part Number
0554601

24-110V LED
Locomotive Headlight
with Spot Beam
Pattern



Part Number
0561031

24-110V LED
Locomotive Headlight
with Warm White Spot
Beam Pattern &
Heated Lens



Part Number
0561061

24-110V LED
Locomotive Headlight
with Warm White Spot
Beam Pattern

Print date: 2025-01-27

© 2025 J.W. Speaker Corporation • Germantown, WI U.S.A.
www.jwspeaker.com • speaker@jwspeaker.com • 262.251.6660

J.W. SPEAKER 
Engineered. Lighting. Solutions.