

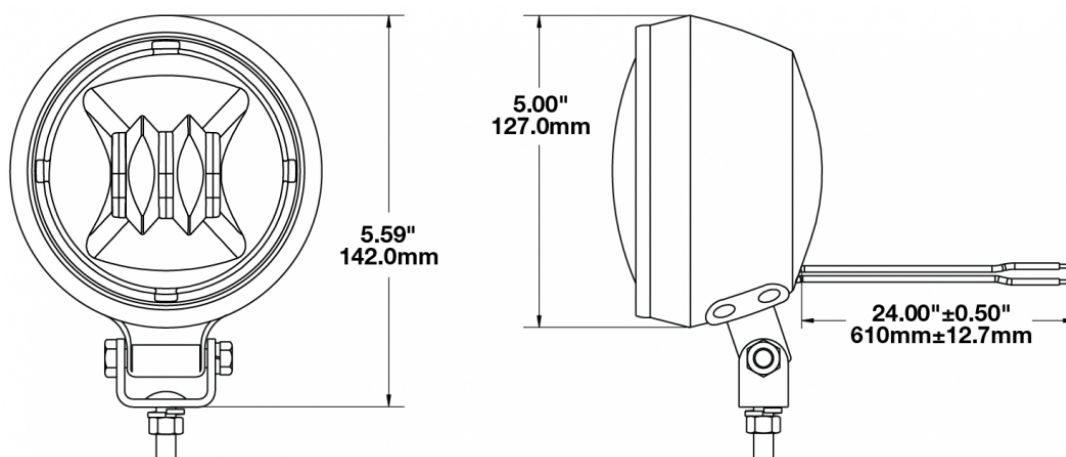
LED Fog Lights - Model 6050

PRODUCT INFORMATION

Description	12V SAE/ECE RHT LED Fog Light with Black Inner Bezel in Rubber Bucket
Height	141.99 mm / 5.59 in
Width	127.00 mm / 5 in
Depth	85.34 mm / 3.36 in
Shape	Round
Outer Lens Color	Clear
Housing Material	Die-Cast Aluminum
Housing Color	Black
Bezel Color	Black
Mounting Type	Universal pedestal Mount
Minimum Operating Temperature	-40 °C / -40 °F
Maximum Operating Temperature	65 °C / 149 °F
Connector or Wiring	Packard (#12124817)
Product Weight	1.40 lbs / 0.64 kgs
Shipping Weight	10.44 lbs / 4.74 kgs



PRODUCT DIMENSIONS



Print date: 2024-12-23

© 2024 J.W. Speaker Corporation • Germantown, WI U.S.A.
 www.jwspeaker.com • speaker@jwspeaker.com • 262.251.6660

J.W. SPEAKER
 Engineered. Lighting. Solutions.

LED Fog Lights - Model 6050

ELECTRICAL SPECIFICATIONS

Input Voltage	12V DC
Operating Voltage	9-15V DC
Transient Spike Protection	150V Peak @ 1 HZ-100 Pulses
Red Wire	Positive
Black Wire	Negative
Current Draw	2.15A @ 12V DC

REGULATORY STANDARDS COMPLIANCE

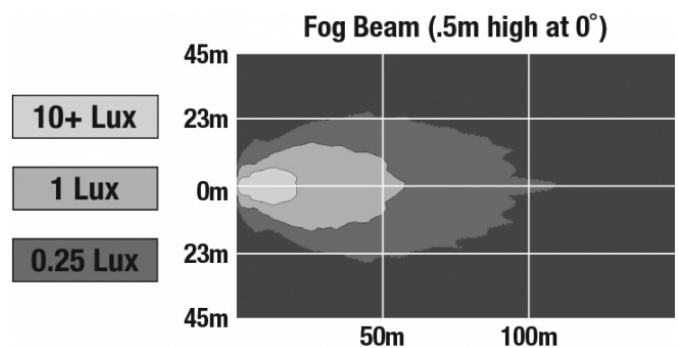


Buy America Standards
Eco Friendly

ECE Reg 19
SAE J583

PHOTOMETRIC SPECIFICATIONS

Raw Lumen Output	750
Effective Lumen Output	500
Nominal LED Color Temperature	5000 K
Beam Pattern(s)	Forward Lighting - Fog



Print date: 2024-12-23

© 2024 J.W. Speaker Corporation • Germantown, WI U.S.A.
www.jwspeaker.com • speaker@jwspeaker.com • 262.251.6660

LED Fog Lights - Model 6050

APPLICATIONS



PRODUCT WARNINGS

For California residents:

⚠ **WARNING:** Cancer and reproductive harm - www.P65Warnings.ca.gov.

⚠ **AVERTISSEMENT:** Cancer et effet nocif sur la reproduction - www.P65Warnings.ca.gov.

RELATED PRODUCTS



Part Number

1403151

12V SAE/ECE RHT LED
Fog Light with Chrome
Inner Bezel in Rubber
Bucket

Print date: 2024-12-23

© 2024 J.W. Speaker Corporation • Germantown, WI U.S.A.
www.jwspeaker.com • speaker@jwspeaker.com • 262.251.6660