

4" Round Plastic Mounting Flange for Model 234

PRODUCT INFORMATION

Description	4" Round Plastic Mounting Flange for Model 234
Height	141.00 mm / 5.55 in
Width	141.00 mm / 5.55 in
Shape	Round
Housing Material	Plastic
Housing Color	White
Mounting Hardware Description	(x1)
Product Weight	0.00 lbs / 0 kgs
Shipping Weight	0.15 lbs / 0.07 kgs
Additional Information	Designed to fit Diameter for a 4.50" panel hole.

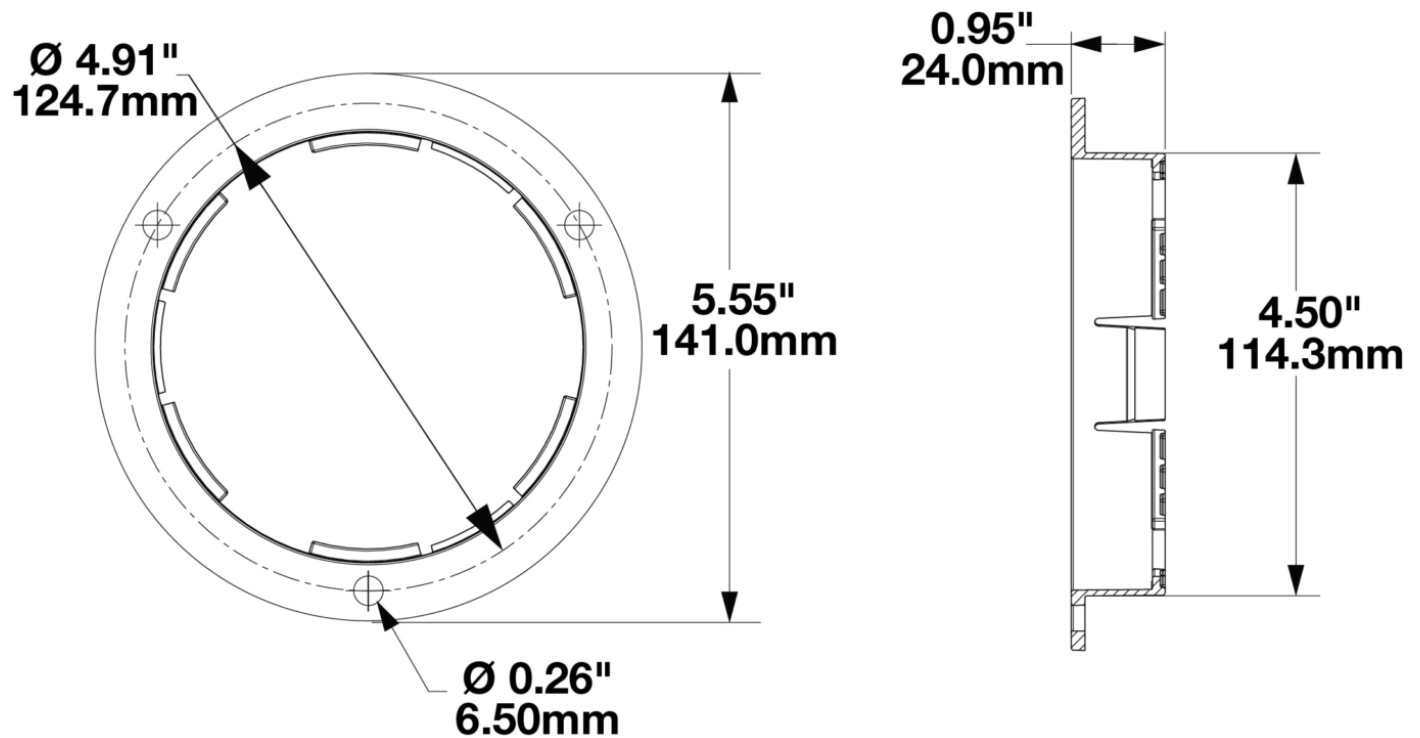


Print date: 2025-01-15

© 2025 J.W. Speaker Corporation • Germantown, WI U.S.A.
www.jwspeaker.com • speaker@jwspeaker.com • 262.251.6660

4" Round Plastic Mounting Flange for Model 234

PRODUCT DIMENSIONS



REGULATORY STANDARDS COMPLIANCE



Buy America Standards

Eco Friendly

Print date: 2025-01-15

© 2025 J.W. Speaker Corporation • Germantown, WI U.S.A.
www.jwspeaker.com • speaker@jwspeaker.com • 262.251.6660

4" Round Plastic Mounting Flange for Model 234

APPLICATIONS



MODEL 234 MOUNTING ACCESSORIES

J.W. Speaker offers a variety of mounting accessories, sold separately from the tail lights as single parts.

- Chrome Finish Plastic Trim Ring can be used with the Rubber Mounting Grommet (2 & 1).
- Stainless Steel Trim Ring can be used with the Plastic Mounting Flange (4 & 3).



Part No. 4242731

Part No. 8200451

Part No. 5869401

Part No. 8200441

PRODUCT WARNINGS

For California residents:

⚠ WARNING: Cancer and reproductive harm - www.P65Warnings.ca.gov.

⚠ AVERTISSEMENT: Cancer et effet nocif sur la reproduction - www.P65Warnings.ca.gov.

Print date: 2025-01-15

© 2025 J.W. Speaker Corporation • Germantown, WI U.S.A.
www.jwspeaker.com • speaker@jwspeaker.com • 262.251.6660

J.W. SPEAKER
Engineered. Lighting. Solutions.

4" Round Plastic Mounting Flange for Model 234

SUITS THESE PRODUCTS



4" Heated, Non-Heated & Color Flashing Tail Lights

LED Tail Lights - Model 234