

LED Tail Lights - Model 234

PRODUCT INFORMATION

Description	12-24V DOT LED Heated Red Stop, Tail, & Turn Light
Height	20.28 mm / 0.8 in
Width	110.14 mm / 4.34 in
Depth	39.53 mm / 1.56 in
Shape	Round
Outer Lens Material	Polycarbonate
Outer Lens Color	Clear
Housing Material	Polycarbonate
Housing Color	Black
Bezel Color	Red
Mounting Type	Grommet
Connector or Wiring	Bare Leads
Mating Connector	None. 3-Pin AMP Connector (#282087-1) sold separately.
Product Weight	0.31 lbs / 0.14 kgs
Shipping Weight	0.48 lbs / 0.22 kgs
Additional Information	Power supplied in any mode will power the heater. If power is not supplied to the heater, the light will not be heated. Turn off power before installing.



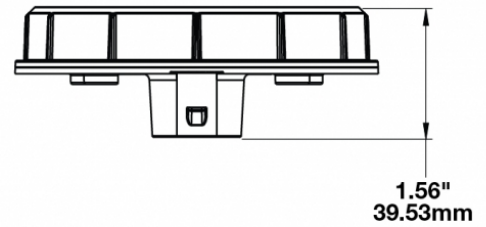
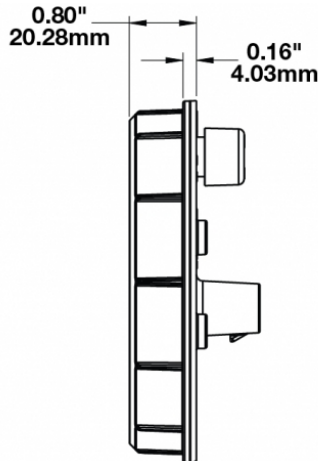
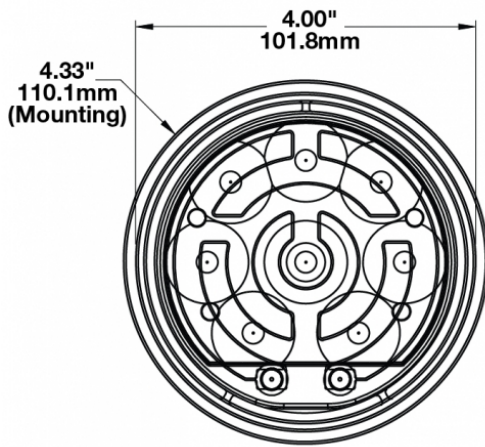
Print date: 2025-01-15

© 2025 J.W. Speaker Corporation • Germantown, WI U.S.A.
 www.jwspeaker.com • speaker@jwspeaker.com • 262.251.6660

J.W. SPEAKER
 Engineered. Lighting. Solutions.

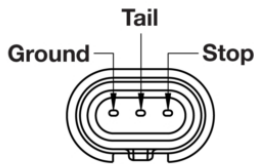
LED Tail Lights - Model 234

PRODUCT DIMENSIONS

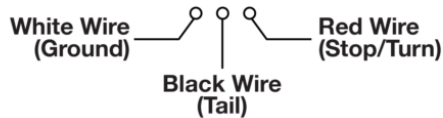


Pin Out Information

LIGHT (Socket shown ↑ top)



WIRE HARNESS*



*Wire harness sold separately on Part # 0346261.
Wire harness included on Part # 0346264.
Also available as a single accessory (Part # 3270501)

Print date: 2025-01-15

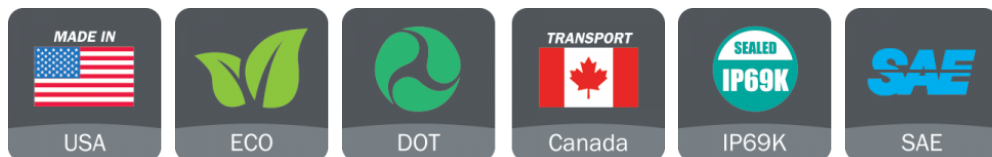
© 2025 J.W. Speaker Corporation • Germantown, WI U.S.A.
www.jwspeaker.com • speaker@jwspeaker.com • 262.251.6660

LED Tail Lights - Model 234

ELECTRICAL SPECIFICATIONS

Input Voltage	12-24V DC
Operating Voltage	9-32V DC
Current Draw	.03A @ 12V DC (Tail) .02A @ 24V DC (Tail) .17A @ 12V DC (Turn / Stop) .12A @ 24V DC (Turn / Stop) .80A @ 12V DC (Tail Heated) .40A @ 24V DC (Tail Heated) 1.0A @ 12V DC (Turn / Stop Heated) .50A @ 24V DC (Turn / Stop Heated) .80A @ 12V DC (Heater) .40A @ 24V DC (Heater)

REGULATORY STANDARDS COMPLIANCE



Buy America Standards	Eco Friendly
FMVSS 108 s7.1 (Table VII)	FMVSS 108 s7.2 (Table VIII)
FMVSS 108 s7.3 (Table IX)	IEC IP69K
SAE J585	SAE J586
SAE J588	

PHOTOMETRIC SPECIFICATIONS

Effective Lumen Output	54
Beam Pattern(s)	Signalization - Tail Signalization - Turn (Rear)

Print date: 2025-01-15

© 2025 J.W. Speaker Corporation • Germantown, WI U.S.A.
www.jwspeaker.com • speaker@jwspeaker.com • 262.251.6660

J.W. SPEAKER
Engineered. Lighting. Solutions.

LED Tail Lights - Model 234

APPLICATIONS



SMARTHEAT™ HEATING SYSTEM

The SmartHeat™ heating system senses ambient temperature and turns the integrated heating system in the lens on & off. This system actually clears ice & snow twice as fast as conventional halogen lamps.

When does the heater turn on?

Heater turns on or off according to temperature changes and vehicle power:

- Heater will turn on when temperatures drop, generating enough heat to prevent ice build-up.
- Heater will turn on when powering up, de-icing the light as rapidly as possible.

When does the heater turn off?

Heater will turn off when it senses temperatures increase and are above the high temperature threshold.

Learn more about this technology [here](#).

See Additional Information on page 1 for heated wire installation

PRODUCT WARNINGS

For California residents:

⚠ WARNING: Cancer and reproductive harm - www.P65Warnings.ca.gov.

⚠ AVERTISSEMENT: Cancer et effet nocif sur la reproduction - www.P65Warnings.ca.gov.

Print date: 2025-01-15

© 2025 J.W. Speaker Corporation • Germantown, WI U.S.A.
www.jwspeaker.com • speaker@jwspeaker.com • 262.251.6660

J.W. SPEAKER 
Engineered. Lighting. Solutions.

LED Tail Lights - Model 234

ACCESSORIES



Part Number
4242731
4" Round Rubber
Mounting Grommet for
Model 234



Part Number
5869401
4" Round Plastic
Mounting Flange for
Model 234



Part Number
8200441
4" Round Stainless
Steel Trim Ring for
Model 234



Part Number
8200451
4" Round Chrome
Plastic Trim Ring for
Model 234



Part Number
3270501
3-Pin AMP Connector
Wire Harness
Assembly

RELATED PRODUCTS



Part Number
0346264
12-24V DOT LED
Heated Red Stop, Tail,
& Turn Light Kit with
Harness



Part Number
0346421
12-48V DOT LED Non-
Heated Stop & Tail
Light



Part Number
0346471
12-24V DOT LED
Heated White Reverse
Light



Part Number
0346474
12-24V DOT LED
Heated White Reverse
Light Kit with Harness



Part Number
0347811
12-24V DOT LED
Heated Amber Turn
Signal



Part Number
0347814
12-24V DOT LED
Heated Amber Turn
Signal Kit with Harness



Part Number
0347861
12-24V DOT LED Non-
Heated Red Stop, Tail,
& Turn Light



Part Number
0347864
12-24V DOT LED Non-
Heated Red Stop, Tail,
& Turn Light Kit with
Harness

Print date: 2025-01-15

© 2025 J.W. Speaker Corporation • Germantown, WI U.S.A.
www.jwspeaker.com • speaker@jwspeaker.com • 262.251.6660

J.W. SPEAKER
Engineered. Lighting. Solutions.