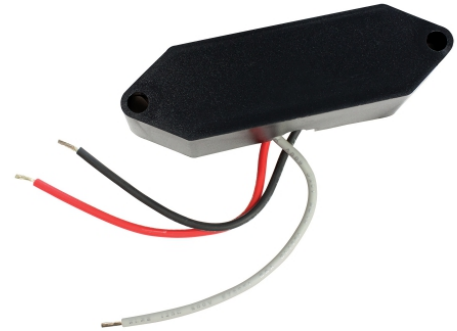


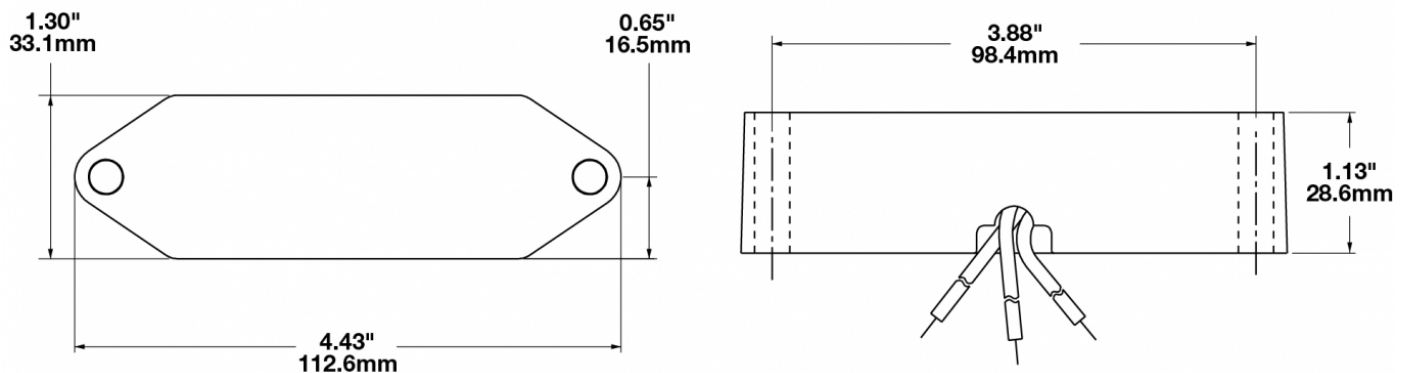
# Flasher Control Module - Model 6309

## PRODUCT INFORMATION

<b>Description</b>	12-80V Flasher Control Module
<b>Height</b>	28.70 mm / 1.13 in
<b>Width</b>	111.00 mm / 4.37 in
<b>Depth</b>	33.27 mm / 1.31 in
<b>Housing Material</b>	Polycarbonate
<b>Mounting Type</b>	Low Profile Mount
<b>Minimum Operating Temperature</b>	-40 °C / -40 °F
<b>Maximum Operating Temperature</b>	65 °C / 149 °F
<b>Connector or Wiring</b>	9" Bare Leads
<b>Product Weight</b>	0.16 lbs / 0.07 kgs
<b>Shipping Weight</b>	2.39 lbs / 1.08 kgs



## PRODUCT DIMENSIONS



Print date: 2024-12-24

© 2024 J.W. Speaker Corporation • Germantown, WI U.S.A.  
 www.jwspeaker.com • speaker@jwspeaker.com • 262.251.6660

**J.W. SPEAKER**  
 Engineered. Lighting. Solutions.

# Flasher Control Module - Model 6309

## ELECTRICAL SPECIFICATIONS

<b>Input Voltage</b>	12-80V DC
<b>Current Draw</b>	5A @ 12V DC
	5A @ 24V DC
	5A @ 36V DC
	5A @ 48V DC
	5.00A @ 60V DC
	5.00A @ 80V DC

## REGULATORY STANDARDS COMPLIANCE



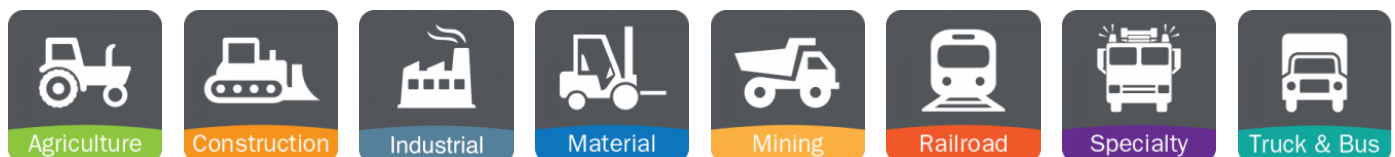
Buy America Standards  
MIL-STD 461

IEC IP67  
UL Recognized

## PHOTOMETRIC SPECIFICATIONS

**Flash Rate 1**      70 +/- 10 fpm

## APPLICATIONS



## PRODUCT WARNINGS

For California residents:

⚠️ **WARNING:** Cancer and reproductive harm - [www.P65Warnings.ca.gov](http://www.P65Warnings.ca.gov).

⚠️ **AVERTISSEMENT:** Cancer et effet nocif sur la reproduction - [www.P65Warnings.ca.gov](http://www.P65Warnings.ca.gov).

**Print date: 2024-12-24**

© 2024 J.W. Speaker Corporation • Germantown, WI U.S.A.  
www.jwspeaker.com • speaker@jwspeaker.com • 262.251.6660