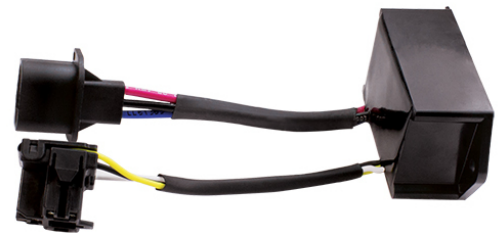


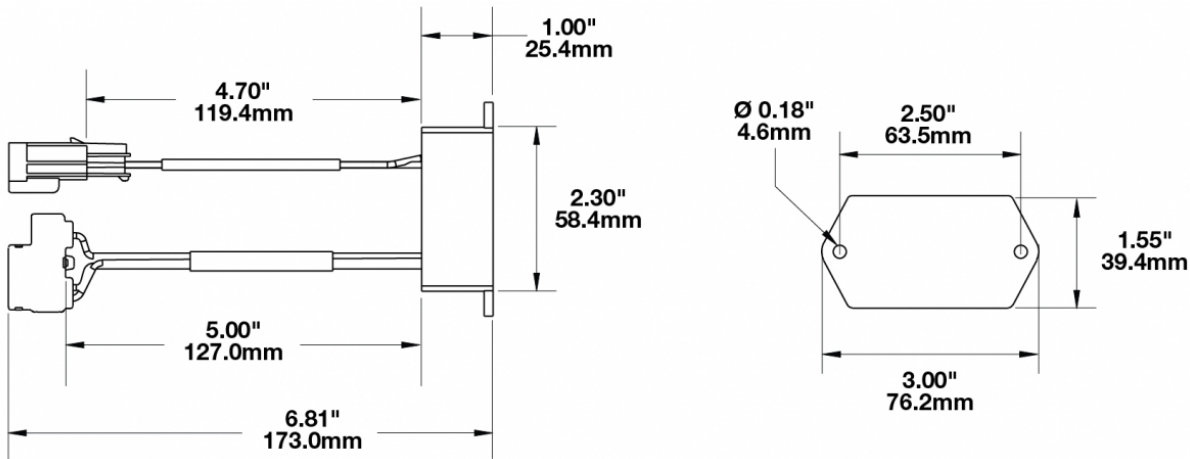
# Anti-Flicker Harness H4/H13 for 8700 Evolution Series Headlights

## PRODUCT INFORMATION

<b>Description</b>	Anti-Flicker Harness H4/H13 for 8700 Evolution Series Headlights
<b>Product Weight</b>	0.00 lbs / 0 kgs
<b>Shipping Weight</b>	0.35 lbs / 0.16 kgs



## PRODUCT DIMENSIONS



Print date: 2024-12-21

© 2024 J.W. Speaker Corporation • Germantown, WI U.S.A.  
[www.jwspeaker.com](http://www.jwspeaker.com) • [speaker@jwspeaker.com](mailto:speaker@jwspeaker.com) • 262.251.6660

**J.W. SPEAKER**  
 Engineered. Lighting. Solutions.

# Anti-Flicker Harness H4/H13 for 8700 Evolution Series Headlights

## REGULATORY STANDARDS COMPLIANCE

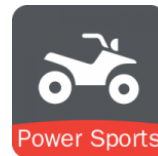
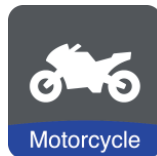
---



Buy America Standards

## APPLICATIONS

---



## PRODUCT WARNINGS

---

For California residents:

⚠ **WARNING:** Cancer and reproductive harm - [www.P65Warnings.ca.gov](http://www.P65Warnings.ca.gov).

⚠ **AVERTISSEMENT:** Cancer et effet nocif sur la reproduction - [www.P65Warnings.ca.gov](http://www.P65Warnings.ca.gov).

---

Print date: 2024-12-21

© 2024 J.W. Speaker Corporation • Germantown, WI U.S.A.  
www.jwspeaker.com • speaker@jwspeaker.com • 262.251.6660

# Anti-Flicker Harness H4/H13 for 8700 Evolution Series Headlights

SUITS THESE PRODUCTS

---



**7" Round  
Headlights with  
Dual Burn®  
Technology**

LED Headlights -  
Model 8700 Evo 2 Dual  
Burn

---

**Print date: 2024-12-21**

© 2024 J.W. Speaker Corporation • Germantown, WI U.S.A.  
www.jwspeaker.com • speaker@jwspeaker.com • 262.251.6660